

Hinges For Heavy Load, Stainless Steel / Steel



Product Overview of Flat Hinges

Economy series Butterfly Flat Hinges For heavy object. Flat Hinges, This series of products are butterfly hinges for heavy objects, which can reach an allowable load of up to 1000N depending on the dimensions (the value when using 2 pcs)
The product material is divided into stainless steel and zinc alloy die-casting. The openings are divided into two types for flat head bolts and ultra-low head bolts. However, zinc die-casting products do not have ultra-low head bolts. Please choose carefully.

Product Feature of Flat Hinges

【Features of Flat Hinges】

Butterfly Flat Hinges for heavy objects can achieve high allowable loads, and when used with high-hardness bolts, they can reach a load capacity of up to 1000N (the value when using 2 pcs).
It is recommended to use only two products for each door.

Multiple products cannot achieve the effect of increasing the load. At the same time, multiple hinges will cause other interference problems caused by insufficient center-axis straightness of the hinge.

Specifications Overview of Flat Hinges

Product Material, Surface Treatment Overview of Flat Hinges:

- Flat Hinges Material Table



Type of Flat Hinges		Material	Surface Treatment	
Flat head bolt type	Ultra-low head bolt type		Chain Piece	Shaft
DC-HHSZN	DC-HHSZTN	SUS304	Buffed	—
DC-HHSZDN	—	Zinc Castings	Chrome Plated	—

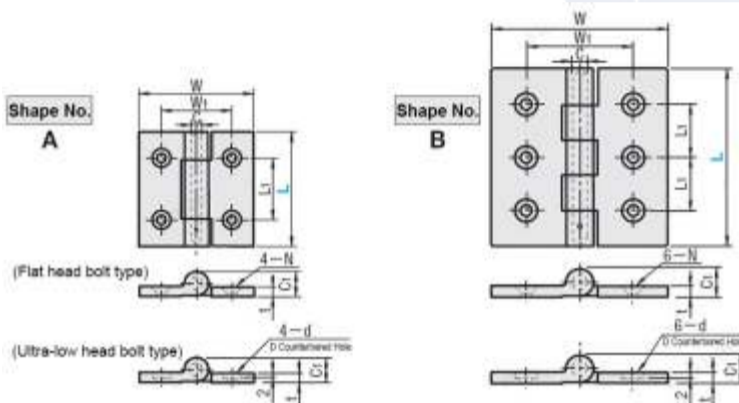
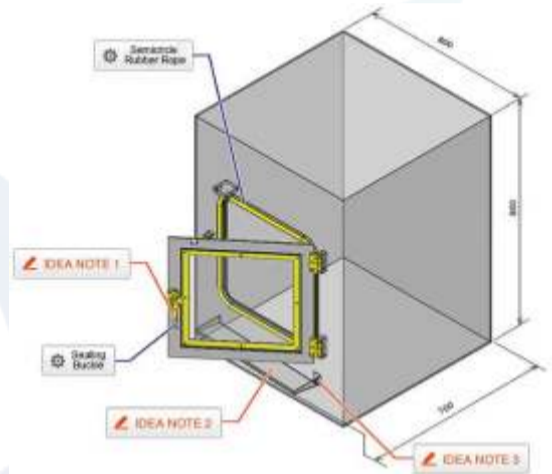
Example Use of Flat Hinges

Precautions of Flat Hinges

The flat head bolt type and the ultra-low head bolt type have the same product specifications, only the mounting holes are different. Please refer to the Specification Table for details.
Butterfly Flat Hinges can't increase the allowable load by adding more products. On the contrary, during installation, it is easy to cause eccentric load due to the fact that three center axes can not be on the same horizontal line at the same time.

It is easy for the door panel to be in a non-displacement state when standing still.

Dimensional Drawing of Flat Hinges



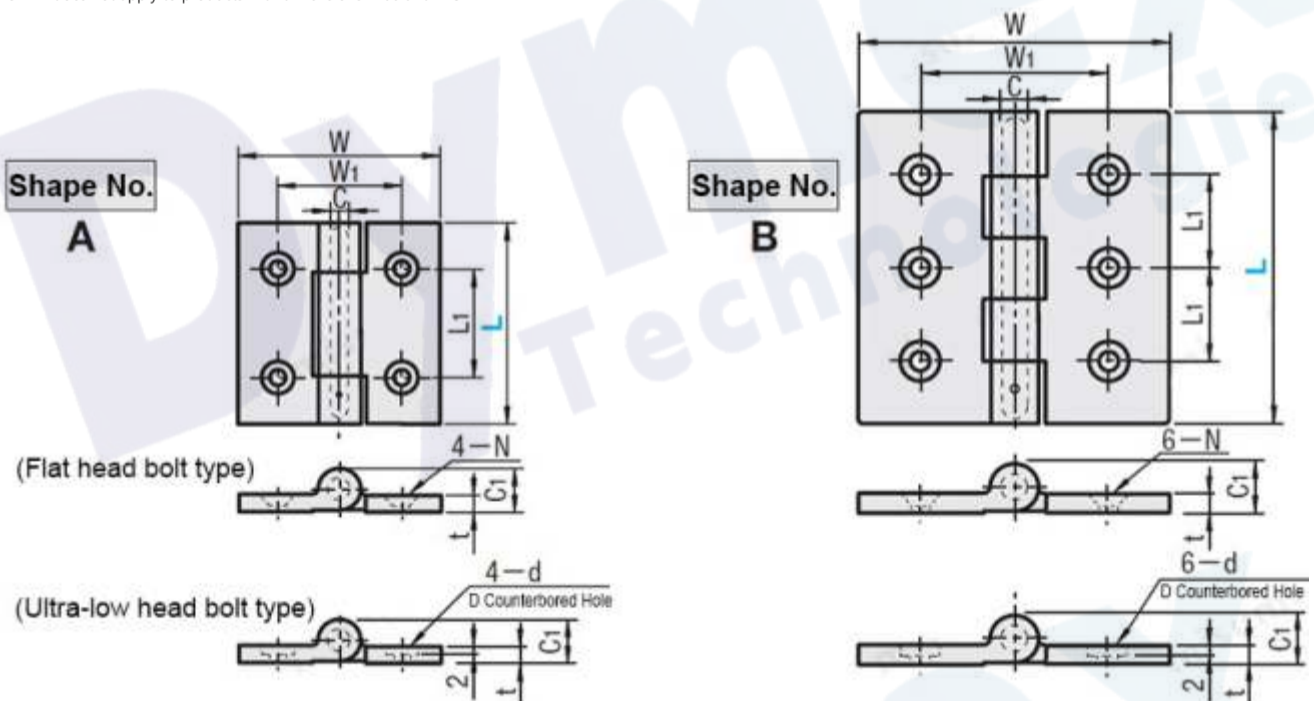
Economy series Butterfly Flat Hinges For heavy object Dimensional drawing
Refer to the Specification Table below for detailed product dimensions

Part Number (Type-No.) - DC-HHSZN50 / DC-HHSZDN50 / DC-HHSZTN50

Part Number		Shape No.	W	W1	L1	C	C1	t	DC-HHSZN-DC-HHSZDN		DC-HHSZTN		Number of segments	*Allowable Load (N)
Type	L								N		D	d		
								Through Hole	Countersunk Hole					
DC-HHSZN DC-HHSZDN DC-HHSZTN	50	A	50	35	20	6	14	5	4.4	8.6	8.6	4.6	3	350
	65		65	40	35				5.6	10.6	9.6	5.6		450
	75		75	50	40	8	16	6	6.6	12.6	10.6	6.6		650
	100*	B	100	60	30	8	16	6	6.6	12.6	—	—	5	850
	125*		100	60	37.5				8	16	6	6.6	12.6	—

* The allowable load is the value when 2 pieces are used.

* DC-HHSZDN does not apply to products with dimensions L100 and 125



Economy series Butterfly hinge For heavy object Dimensional drawing
Refer to the Specification Table below for detailed product dimensions

Part Number (Type-No.) - DC-HHSZN50 / DC-HHSZDN50 / DC-HHSZTN50

Part Number		Shape No.	W	W1	L1	C	C1	t	DC-HHSZN-DC-HHSZDN		DC-HHSZTN		Number of segments	*Allowable Load (N)
Type	L								N		D	d		
								Through Hole	Countersunk Hole					
DC-HHSZN DC-HHSZDN DC-HHSZTN	50	A	50	35	20	6	14	5	4.4	8.6	8.6	4.6	3	350
	65		65	40	35				5.6	10.6	9.6	5.6		450
	75		75	50	40	8	16	6	6.6	12.6	10.6	6.6		650
	100*	B	100	60	30	8	16	6	6.6	12.6	—	—	5	850
	125*		100	60	37.5				8	16	6	6.6	12.6	—

* The allowable load is the value when 2 pieces are used.

* DC-HHSZDN does not apply to products with dimensions L100 and 125

Basic Specifications

- Flat Hinge Type - Square Plate Type
- Mounting Method - Screw Mounting
- Main Body Type - Flag Hinge
- Additional Function - Not Provided
- Operating Environment - Standard
- Main Body Surface Treatment - Mirror Polishing

ORDERING GUIDE



DC-HHSZDN50

www.dymextech.com
india@dymextech.com