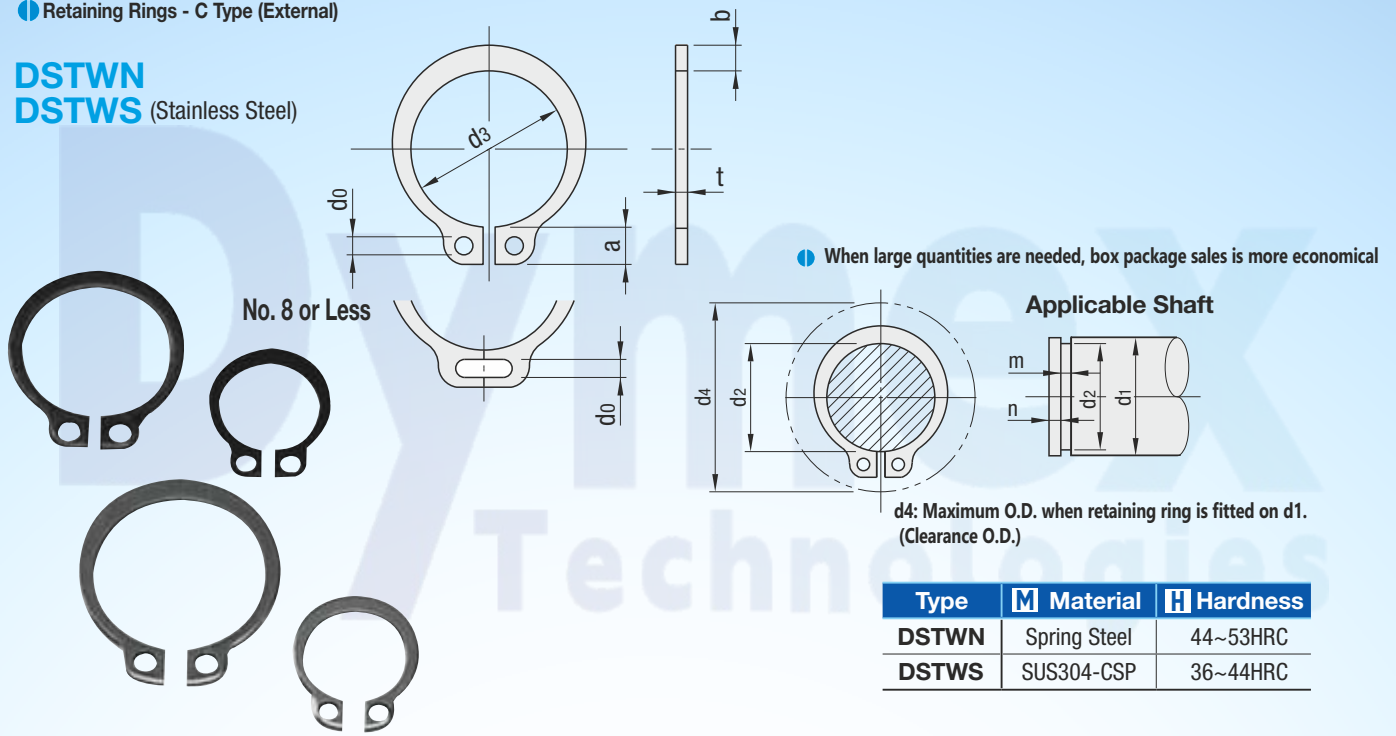


Retaining Rings - C Type (External)

DSTWN
DSTWS (Stainless Steel)



Part Number		Retaining Ring							Reference	Applicable Shaft (Reference)					
Type	No.	D ₃	Tolerance	t	Tolerance	b (Approx)	b (Approx)	d ₀ (Min)	d ₄	d ₁	d ₂	Tolerance	m	Tolerance	n (Min)
DSTWN	3	2.7	+0.04 -0.15	0.25	±0.025	0.5	1.7	0.7	7	3	2.85	0 -0.04	0.35	+0.10 0	0.3
	4	3.7		0.4	±0.03	0.9	2.2	0.8	9	4	3.8		0.5		
	5	4.7		0.6	±0.04	1.1	2.4	1	10.5	5	4.8		0.7		
	6	5.6	0.7	1.3		2.8	12		6	5.7	0.8				
	7	6.5	0.8	1.4		3	14		7	6.7	0.9				
	8	7.4	0.8	-0.2	1.6	3	15	8	7.6	0	-0.06	0.9	0.6		
DSTWN (Stainless Steel)	4	3.6	±0.1	0.25	±0.03	0.7	1.4	0.7	9	4	3.7	±0.06	0.3	+0.10 0	1.0
	5	4.5		0.4	±0.04	0.7	1.4	0.7	10.5	5	4.7		0.45		
	6	5.5		0.8		2	5.7	0.7	12	6	5.7		1.5		
	7	6.3		0.9		2	6.5	0.7	14	7	6.5		0.7		
8	7.1	1	2.2	1	15	8	7.4	0.7	0	-0.09	0.35	+0.14 0	1.5		
DSTWN (Stainless Steel) DSTWS (Stainless Steel)	10	9.3	±0.15	1	±0.05	1.8	3	1.2	17	10	9.6			0	1.15
	11	10.2	±0.18			2	3.1	1.2	18	11	10.5			0 -0.11	1.15
	12	11.1				2.1	3.2	1.5	19	12	11.5				
	13	12					3.3	20	13	12.4					
	14	12.9					3.4	22	14	13.4					
	15	13.8				2.2	3.5	1.7	23	15	14.3				
	16	14.7		3.6	24		16		15.2						
	17	15.7	3.7	25	17		16.2								
	18	16.5	1.2	±0.06	2.6	3.8	26	18	17	0 -0.21	1.35				
	19	17.5			2.7	3.8	27	19	18						
	20	18.5			3.9	28	20	19							
	21	19.5			4	30	21	20							
	22	20.5			4.1	31	22	21							
	23	21.4			4.2	32.5	23	22							
	24	22.2	2.9	4.5	2	33	24	22.9							
	25	23.2		4.3		34	25	23.9							
	26	24.2		4.4		35	26	24.9							
	28	25.9	1.5	±0.06	4.6	2	38	28	26.6	0 -0.25	1.65				
29	26.9	4.7			39		29	27.6							
30	27.9	4.8			40		30	28.6							
32	29.6	2	±0.07	5	2.5	43	32	30.3	0 -0.3	1.9					
35	32.2			4		5.4	46	35			33				
40	37			4.5		5.8	53	40			38				
45	41.5	±0.4	±0.07	4.8	2.5	58	45	42.5	0 -0.25	2.2					
50	45.8			5		6.7	64	50			47				
52	47.8			6.8		66	52	49							
60	55.8	±0.45	±0.08	5.5	2.5	75	60	57	0 -0.3	2.7					
80	74.5			7.2		8.2	97	80			76.5				

Basic Specifications

- Type - Retained with Outer Ring
- Mounting Method Type - Standard
- Shape - Standard Type (C-Ring)
- Sales Unit - Low Quantity (Available beginning with 1 pc.)
- Retaining Ring Type - Retained with Outer Ring
- Product Type - Retaining Ring

