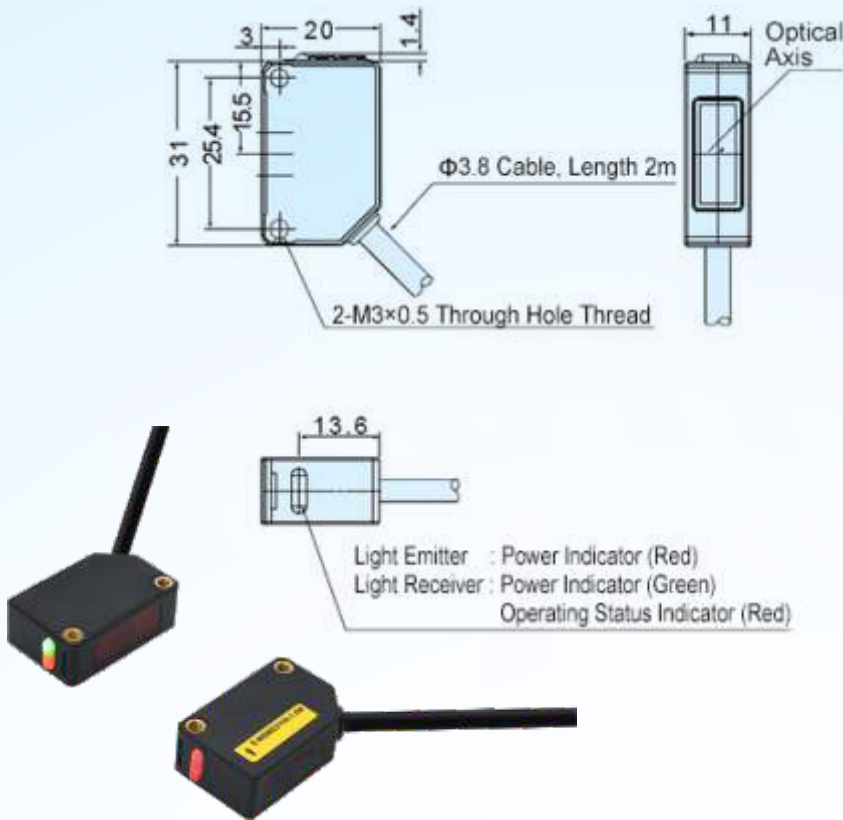
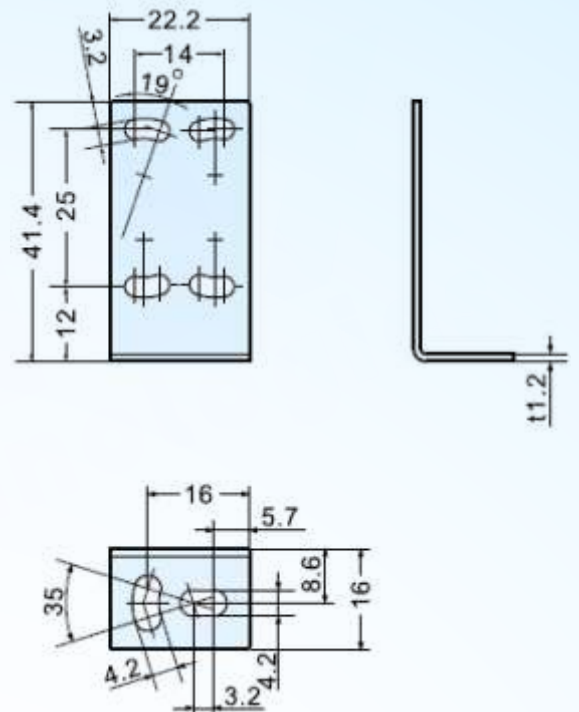


Photoelectric Sensors Through Beam Type, Distance Adjustment-free

Emitter/Receiver



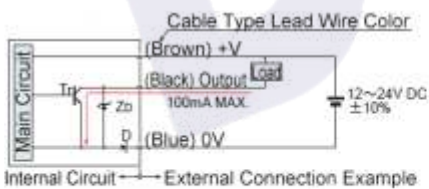
Mounting Bracket



Specification Overview

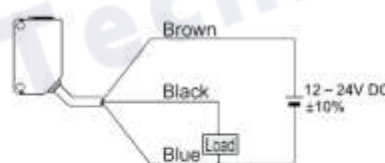
Part Number		Detection Method	Shape	Light Source	Detection Range	Output	Adjustment Method	Connection Method
DNP Type	DPNP Type							
DE-MSM2311N-1.5M	DE-MSM2311P-1.5M	Through-Beam Type		Infrared Light	15000 mm	NO/NC	No Adjustment Needed	1.5 m Lead Wire Type

Output Circuit Diagram DC 3 Wire Type DNP Output Input/Output Circuit Diagram

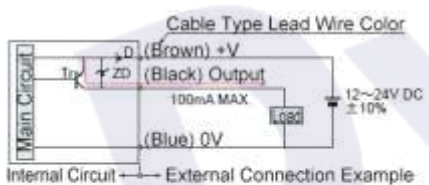


Symbol, Tr, DNP Output Transistor
ZD, Surge Absorbing Zener Diode
D, Diode for Power Supply Output Reverse Connection Protection

Connection Diagram

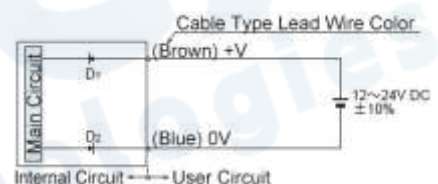


DC 3 Wire Type DPNP Output Input/Output Circuit Diagram



Symbol, Tr, DNP Output Transistor
ZD, Surge Absorbing Zener Diode
D, Diode for Power Supply Output Reverse Connection Protection

Light Emitter Circuit Diagram



Basic Specifications

- Type - Photoelectric Sensor
- Detection Method - Shooting
- Detection Distance (mm) - 15000 mm

Product Features

Easy to install, no distance adjustment required, convenient for bulk installation

