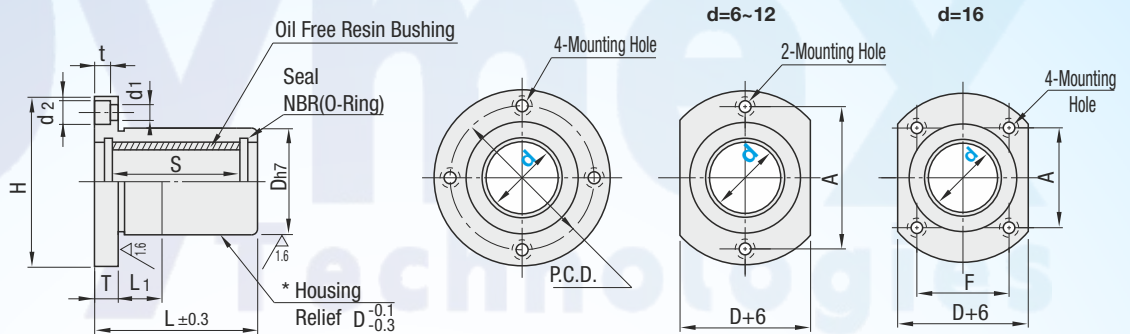


# Oil Free Bushing Housing Unit - Flanged, Built-in Polyacetal Resin Bushings

● **Features:** Suitable for vertical use. Reduces the time of manufacturing and assembling the housing.

## ● Oil Free Busing Housing Units - Flanged

Type		Housing		Bushing
Round Flange	Compact Flange	M Material	S Surface Treatment	M Material
DJFMA	DJFRA	Aluminum Alloy	Clear Anodize	Polyacetal Resin DJZB



Part Number		Dh7	h	W	H	L	L <sub>1</sub>	L <sub>2</sub>	S	I	M <sub>1</sub>	M <sub>2</sub>	d1xt
Type	d												
DJFMA	6	12	19	5	13	28	5	3.5	6	3.1	20		20
	8	15	24		18	32					24		24
	10	19	29		21	40					29		29
	12	21	30	10	21.6	42	6	4.5	7.5	4.1	32		32
DJFRA	16	28	37		26.6	48					38	22	31

## ● Basic Specifications

- **Type** - Flange Integrated
- **Max. Allowable Surface Pressure P (N/mm<sup>2</sup>)** - 17.5
- **Length Type** - Single
- **Environment** - Conformance to Food Sanitation Law
- **Case Material** - Aluminum Alloy
- **Max. Allowable PV Value Range (N/mm<sup>2</sup> · m/s)** - 2.1~5.0
- **Maximum Allowable Velocity (m/s)** - 0.85
- **Max. Allowable PV Value (N/mm<sup>2</sup>·m/s)** - 2.45

ORDERING GUIDE



DJFRA10  
DJFMA10

[www.dymextech.com](http://www.dymextech.com)  
[india@dymextech.com](mailto:india@dymextech.com)