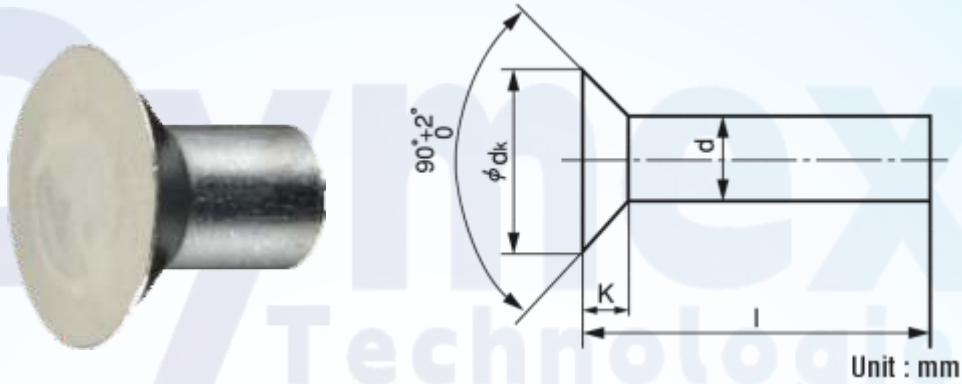


Countersunk Head Rivet



Unit mm

Nominal	d		dk		k
	max	min	max	min	
1	1.04	0.98	2.3	1.7	0.5
1.2	1.25	1.18	2.7	2.1	0.6
1.4	1.46	1.38	3.2	2.4	0.7
1.6	1.67	1.58	3.6	2.8	0.8
1.7	1.77	1.68	3.8	3	0.9
2	2.08	1.4	4.4	3.6	1
2.3	2.39	2.28	5	4.2	1.2
2.5	2.6	2.47	5.5	4.5	1.3
2.6	2.7	2.57	5.7	4.7	1.3
3	3.12	2.97	6.5	5.5	1.5
3.5	3.64	3.46	7.5	6.5	1.8
4	4.16	3.96	8.6	8	2
4.5	4.68	4.45	9.6	9	2.3
5	5.2	4.95	10.7	10	2.5
6	6.24	5.94	12.7	12	3
8	8.32	7.92	16.8	16	4
10	10.4	9.92	16.8	16	4
12	12.48	11.92	19.8	19	5
13	13.5	12.92	21.8	21	5
14	14.56	13.9	22.8	22	6

■ Select From column 1 with priority, followed by columns 2 and 3 in that order as necessary.

Basic Specifications

- Head Shape - Disc

ORDERING GUIDE



DRIVTRS-AL-M2-3

www.dymextech.com

india@dymextech.com