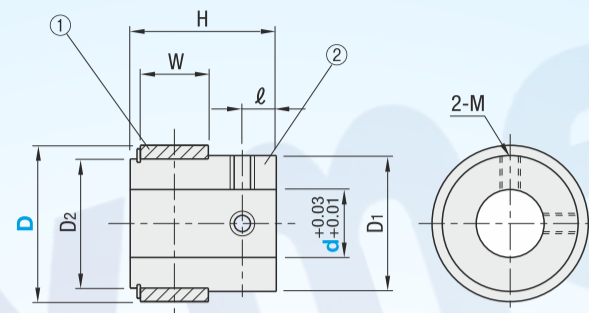


# Non-Contact Magnetic Transmission Drives- Economy Type/ Perpendicular Type/ Parallel Type



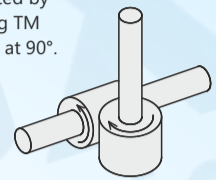
## Standard Type



- Maximum Rotational Speed: 1500rpm
- Operating Temperature: 0 ~ 60°C

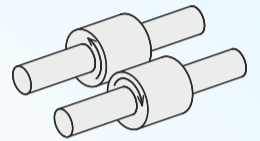
### Perpendicular Type

Motive force is transmitted by arranging TM magnets at 90°.



### Parallel Type

Motive force is transmitted by arranging TM magnets in parallel.



Type	Combined Type	M Material		Surface Treatment		
		① Magnet Section	② Holder Section	① Magnet Section	② Holder Section	
Standard Type	DMDQ	Perpendicular Type	Neodymium Sintered Magnet	A5056	Out-gassing Prevention Treatment	Corrosion Resistant MDY Parallel Type Anodizing
	DMDY	Parallel Type				

Part Number	Type	D	d Selection	D1	D2	H	W	l	M	Allowable Torque (N)	
										Standard Torque	
										DMDQ	DMDY
Perpendicular Type DMDQ Parallel Type DMDY	16	6 8		13	12	19.5	8	5	M3	0.013	0.032
	22	8 10 12		18	17	23.5	12			0.050	0.105
	26	10 12 15		22	20	25.5	14			0.068	0.186
	35	10 12 15 20		32	29	34.0	22	M4	0.245	0.558	

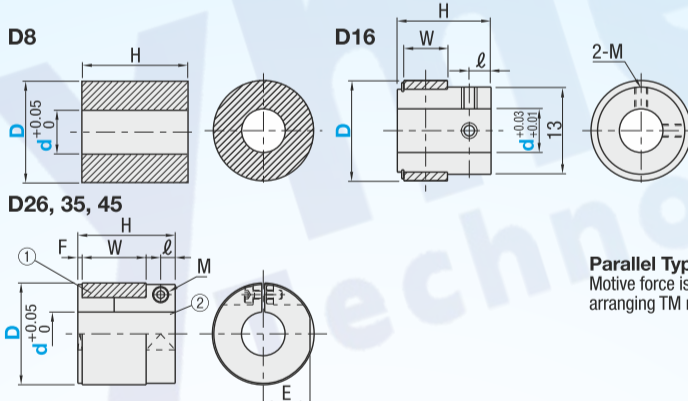
- Perpendicular Type and Parallel Type cannot be used in combination.
- Cannot be combined with other manufacturer's products. Please be sure to order in sets of the compatible product types.
- Drives with different diameters cannot be used in combination. Combine the drives of same diameter

**Features: This type is made of plastic and more economical than the Standard Type.**  
Suitable for use in normal atmosphere. Equivalent allowable torque to the Standard Type

## Economy Type

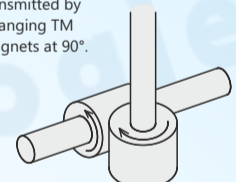


Type	Combined Type	M Material		Surface Treatment		
		① Magnet Section	② Holder Section	① Magnet Section	② Holder Section	
Standard Type	DMEQ	Perpendicular Type	Neodymium Sintered Magnet	A5056	Out-gassing Prevention Treatment	Corrosion Resistant Anodizing
	DMEY	Parallel Type				



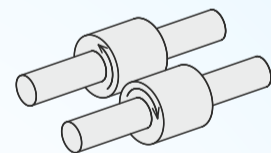
### Perpendicular Type

Motive force is transmitted by arranging TM magnets at 90°.



### Parallel Type

Motive force is transmitted by arranging TM magnets in parallel.



- Maximum Rotational Speed: 1500rpm
- Operating Temperature: 0 ~ 60°C

Part Number	Type	D	d Selection	H	W	l	Locking Screw (D16: Set Screw)		F	E	* Allowable Torque (N·m)	
							M	Tightening Torque (N·m)			MEQ	MEY
							Perpendicular Type DMEQ Parallel Type DMEY	8			5	
16	6 8		19.5	8	5	M3		1.5	1.5	11.5	0.015	0.021
26	12 15		25.5	14		M2.5		0.333			0.098	0.167
35	15 20		33.5	22		M3		0.422	0.221	0.515		
45	20		45	30	6.35	M5		0.784	2	20.5	0.804	

\* Allowable Torque values are for reference at 0.5mm gap

- Perpendicular Type and Parallel Type cannot be used in combination
- Cannot be combined with other manufacturer's products. Please be sure to order in sets of the compatible product types.
- Drives with different diameters cannot be used in combination. Combine the drives of same diameter.
- D diameter 45 is available for Perpendicular Type only
- D8 does not have the 2 holder section. Use adhesive to fix.
- The holder section of D16 is tightened with a set screw. (Set screw included)

## Basic Specifications

Type - Economy Type



ORDERING GUIDE



DMDQ22 - 8  
DMEQ35 - 20

www.dymextech.com  
india@dymextech.com