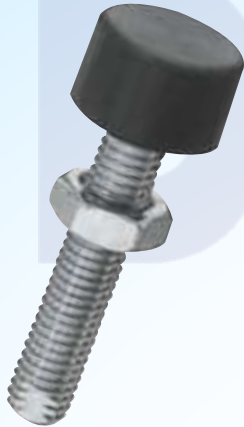


Shock Absorption Stoppers

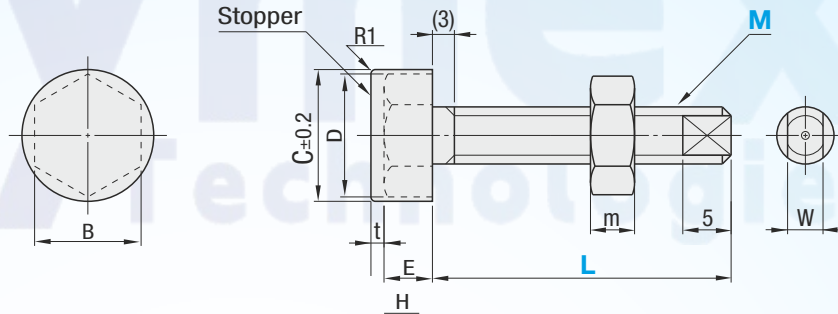
Bolts with Low Elastic Rubber Head



■ Bolts with Low Elastic Rubber Head



Type	Stopper		Screw	Hex Nut
	Material	Hardness	Material	Material
DUNST	Low Elastic Rubber (Hanenaito® RGP-60L)	Shore A57	SUS304	SUS304 Equivalent



Part Number	M (Coarse)				t	C	D	B	H	E	Shock Absorption Amount (kgf · cm)	Withstand Load (kgf)	M	W	
	3	10	15	20											
DUNST	3	10	15	20	4	8	6.15	5.5	6	2	0.045	2.2	1.8	2	
	4	10	15	20	30	4.2	10	7.7	7	7	2.8	3.4	2.4	3	
	5		20	30	40	4.5	12	8.8	8	8	3.5	5.4	3.2	4	
	6		20	30	40	5	15	11.1	10	9	4	0.207	9.4	3.6	4.5
	8		30	40	50	5.7	18	14.4	13	11	5.3	0.350	14.2	5	6.5
	10		30	40	50	5.6	21	17.8	16	12	6.4	0.350	23.4	6	8

ORDERING GUIDE



Part Number - L
DUNST8 - 40

www.dymextech.com
india@dymextech.com