

Links Bearing Embedded

● **Features :** Bearing integrated links to support rotations.

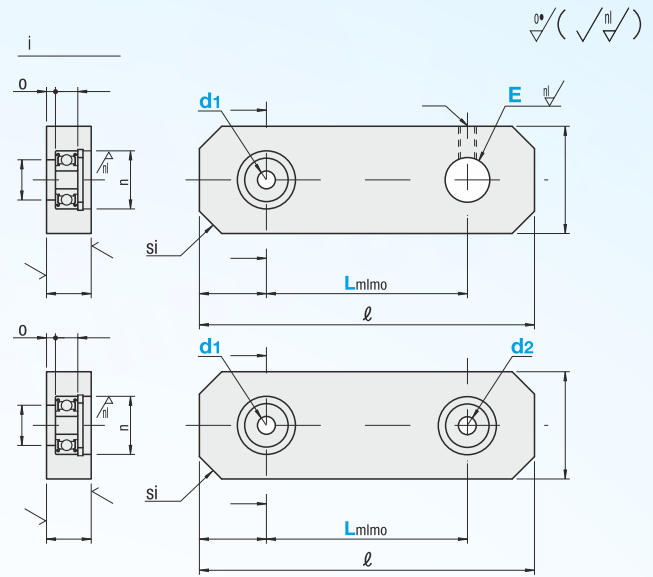


Type		M Material		S	A Accessory	
Single Bearing	Double Bearing	Links	Bearing	Surface Treatment	Retaining Ring	Set Screw
DLNBB	DLNBWB	S45C Equivalent	Steel	Black Oxide	Spring Steel	SUS304
DLNBW	DLNBWM			Electroless Nickel Plating	SUS304	
—	DLNBWS	SUS304		Electroless Nickel Plating		

● *Double Bearing Type has no set screw.

Single Bearing Type

Double Bearing Type



● **T Dimension Tolerance**

T	10~16	19
	-0.3~-0	-0.33~-0

● **Single Bearing Type**

Part Number Type	d1	Eh7 Selection	L 1mm Increment	W	T	ℓ	F	C	Tightening Screw M	Bearing No	D _{1H7}	Tolerance		dh	B
												+	0		
DLNBB DLNBW	5	3 4 5 6 8	20~150	20	10	L+22	10	5	When Eh7 is 3 ~ 6, M3 8 ~ 16, M4 18 ~ 25, M6	605ZZ	14	+0.018	0	10	5
	6	3 4 5 6 8 10	20~150							606ZZ	17	0	13	6	
	8	3 4 5 6 8 10 12 13 14 15 16	30~150	608ZZ	22	+0.021	0	18		7					
	10	3 4 5 6 8 10 12 13 14 15 16 18	35~200	6000ZZ	26	0	22	8							
	12	3 4 5 6 8 10 12 13 14 15 16 18 20	40~200	6001ZZ	28	0	24	8							
	15	3 4 5 6 8 10 12 13 14 15 16 18 20 25	45~300	6002ZZ	32	0	28	9							
	20	3 4 5 6 8 10 12 13 14 15 16 18 20 25	55~300	6004ZZ	42	+0.025	0	36		12					
	25	3 4 5 6 8 10 12 13 14 15 16 18 20 25	55~300	6005ZZ	47	0	41	12							

● **Double Bearing Type**

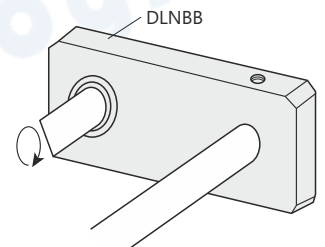
Part Number Type	d1	d2 Selection	L 1mm Increment	W	T	ℓ	F	C
	5	5	20~150	20	10	L+22	10	5
	6	5 6	20~150					
	8	5 6 8	30~150	29	12	L+28	14	
	10	5 6 8 10	30~150	34	16	L+34	17	
	12	5 6 8 10 12	35~200	36	16	L+36	18	8
	15	5 6 8 10 12 15	40~200	40	19	L+40	20	
	20	5 6 8 10 12 15 20	45~300	50	19	L+52	26	10
	25	5 6 8 10 12 15 20	55~300	56	19	L+58	29	

● **Double Bearing Type**

d1 d2	D _{1H7}	dh	B	Bearing No
5	14	10	5	605ZZ
6	17	13	6	606ZZ
8	22	18	7	608ZZ
10	26	22	8	6000ZZ
12	28	24	8	6001ZZ
15	32	28	9	6002ZZ
20	42	36	12	6004ZZ
25	47	41	12	6005ZZ

Example

• Fixes the shaft by the set screw side, and supports rotations by the bearing side.



● **Basic Specifications**

- **Shape** - Standard (with Corner Cut)
- **Number of Holes** - 2 pcs.

ORDERING GUIDE



Part Number	E	d ₂	L
DLNBB12	-	16	- 150
DLNBWS10	-	5	- 150