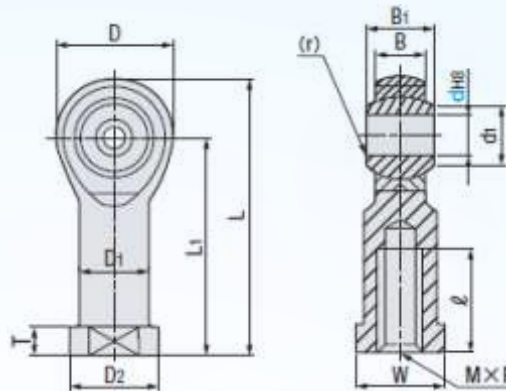


Rod End Bearings Lubrication Free, Tapped



DE-GZN
DE-GZNL

M Material Of Spherical Bearings

Holder	Inner Ring	Outer Ring	Bushing (Inner Lining)
S45C (Zinc Plating)	Bearing Steel	H59	PTFE

Lubrication free rod end Spherical Bearings Internal threads are divided into two types, namely the right-hand thread and left-hand thread.

Shape of Spherical Bearings	Female Thread Type		M Material			
	Right-Hand Thread	Left-Hand Thread	Holder	Inner Ring	Outer Ring	Bushing (Inner Lining)
Lubrication Free	Right-Hand Thread	Left-Hand Thread	S45C (Zinc Plating)	Bearing Steel	H59	PTFE

Connecting Thread Specification M×P	Connecting Thread Direction	d	D	D ₁	D ₂	L	L ₁	ℓ	B	B ₁	T	W	D ₁	(r)	Static Load Capacity Radial C _s (kN)	Weight	
M5×0.8	Right-Hand Left-Hand	5	18	9	11	36.5	27	10	6	8	4	10	7.7	0.3 ~ 0.5	6	16	
M6×1.0		6	20	10	13	40.5	30	12	6.75	9	5	11	8.96		7.65	22	
M8×1.25		8	24	12.5	16	48.5	36	16	9	12	6.5	14	10.4		12.9	47	
M10×1.5		10	28	15	19	57.5	43	20	10.5	14	8	17	12.9		18	77	
M10×1.25		12	32	17.5	22	66.5	50	22	12	16	8	19	15.4		24	100	
M12×1.75		14	36	20	25	75	57	25	13.5	19	10	22	16.9		31	160	
M14×2.0		16	40	22	27	85.5	64	28	15	21	10	24	19.4		39	220	
M14×1.5		20	50	27.5	34	102.5	77	33	18	25	10	30	23		57	420	
M16×2.0																	
M20×1.5																	

Basic Specifications

- Rod End Bearing Type 1 - Standard Type
- Type (Details) - Rod End Bearings
- Main Body Material 1 - S45C
- Bushing Material - PTFE
- Connecting Thread Shape - Tapped
- Lubrication Method - Oil Free

Example

