

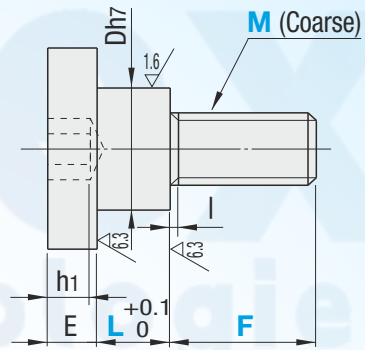
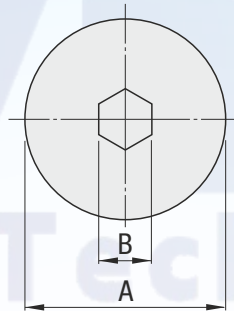
Stepped Screws - Low Head Selectable



Conveyor Rollers with a built-in motor and a reducer.

Stepped Screws

Type	Material	Surface Treatment
DDBB	S45C	Black Oxide
DDBS	SUS303	-



Part Number		L	F	E	Dh7	A	B	ℓ	h1
TYPE	M (Coarse)								
DDBB DDBS	3	3	3 4 5 6	2	5	8	2	1	2
		4	3 4 5 6						
		5	3 4 5 6						
		6	3 4 5 6						
		7	4 5 6						
		8	4 5 6						
	4	3	4 5 6 8	2.8	6	10	2.5	1.2	2.5
		4	4 5 6 8						
		5	4 5 6 8						
		6	4 5 6 8						
		7	4 5 6 8						
		8	5 6 8						
	5	10	6 8	3.5	8	12	3	1.4	3
		3	5 8 10						
		4	5 8 10						
		5	5 8 10						
		6	5 8 10						
		7	5 8 10						
	6	8	5 8 10	4	10	16	4	1.5	3.5
		3	8 10 12						
		4	8 10 12						
		5	8 10 12						
		6	8 10 12						
		7	8 10 12						
10	8 10 12								

Basic Specifications

- Detailed Shape - Low Head
- Sales Unit - Low Quantity (Available beginning with 1 pc.)
- Basic Shape - Stepped
- Application - Standard
- Thread Type - Metric, Coarse

ORDERING GUIDE



L F

DDBB5 - 4 - 10
DDBB6 - 3 - 4

www.dymextech.com

india@dymextech.com