

# Air Tool Series Spout Gun

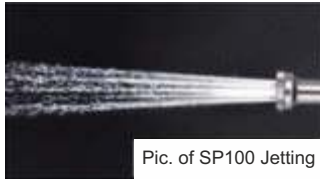
## DSP Series DSP100

### Spout Guns SP Series

### Shower Guns For Machining Tool (only for water, oil)

DSP100

Shower Type



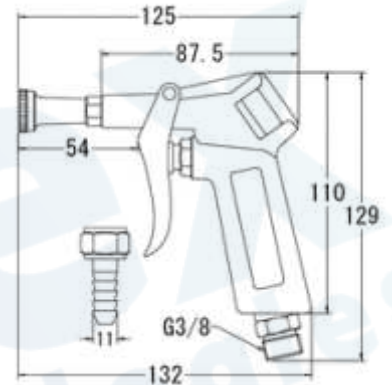
Pic. of SP100 Jetting

**Material**

Body Aluminum Die Cast  
 Parts Brass Rod, Iron, Stainless  
 Packing O-Ring  
 O-Rng Viton



Max. Operating Pressure  
 0.7MPa



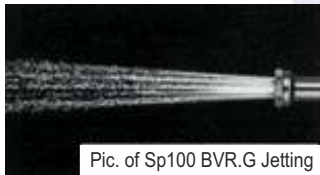
Spec.	Nozzle OD	Nozzle Hole Diameter	No. of Holes	Volume (w/0.4MPa)	Hose Joint Diameter	Thread For Attachment	Weight
DSP100	19	1.3	12	10 l /min	8.5 · 11	G3 / 8	246g

w/Hose of Id 10 mm

\*Thread For attachment G1/2 is available.

SP100BVR.G

Shower Type, w/Flow Contoller Function



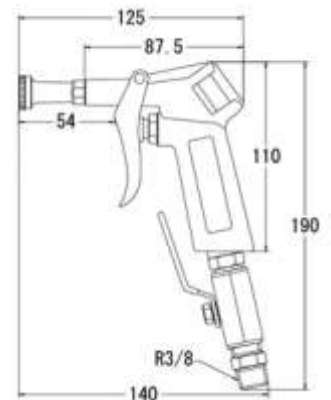
Pic. of Sp100 BVR.G Jetting

**Material**

Body Aluminum Die Cast  
 Parts Brass Rod, Iron, Stainless  
 Packing O-Ring  
 O-Rng Viton



By turning the lever, you can control the volume. Lever turns 360°.



The picture and diagram are for DSP100BVR

Spec.	Nozzle OD	Nozzle Hole Diameter	No. of Holes	Volume (w/0.4MPa)	Thread For Attachment	Weight
DSP100BVR	19	1.3	12	10 l /min	R3 / 8	393g
DSP100BVG					G3 / 8	391g

w/Hose internal diameter 10mm

Extension Nozzle Adaptor

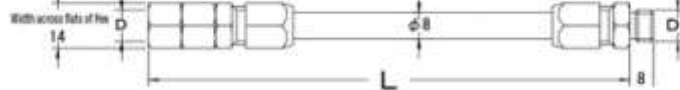
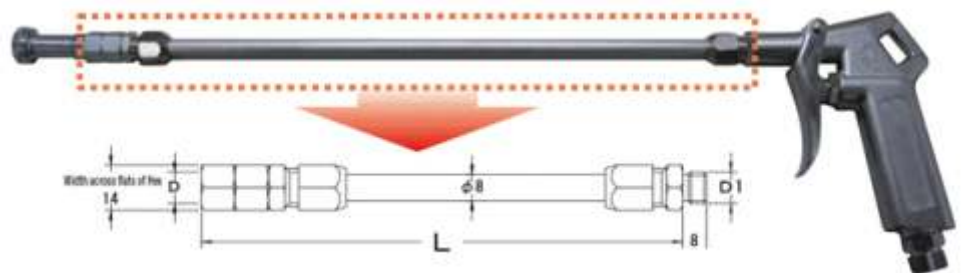
For Spout Guns Sp100, 200

Compatible With Air Guns

By using the Nozzle Adapter, you can water from long distance.

**Material**

Pipe Aluminum  
 Parts Brass Rod,



Spec.	L	Pipe OD	Pipe ID	D	Thread For Attachment	Weight
DLNAD300	335	8	6	G1/8	G1 / 8	80g

### Basic Specifications

- Type - Air Blow Gun Body and Nozzles
- Connection Type of Air Supply Port - Female Thread
- Nozzle Material - Brass Rod
- Nozzle Shape - Standard
- Nozzle Mounting Screw - Male thread
- Nozzle O.D. (mm) - 19
- Features - Standard
- Body Material - Aluminum Diecast
- Nozzle Dia. (mm) - G1/8

ORDERING GUIDE



DSP100