

## Product Overview of Flat Hinges

General stainless steel Flat Hinges, divided into A type linear hole products and B type and C type staggered hole products. The drawing shows 2-hole mounted products. The products are processed with round holes. If you need countersunk products, please refer to tapered hole products. (Tapered hole products do not include staggered hole products. Please pay attention to purchase.)

## Product Feature of Flat Hinges

### Features of Flat Hinges

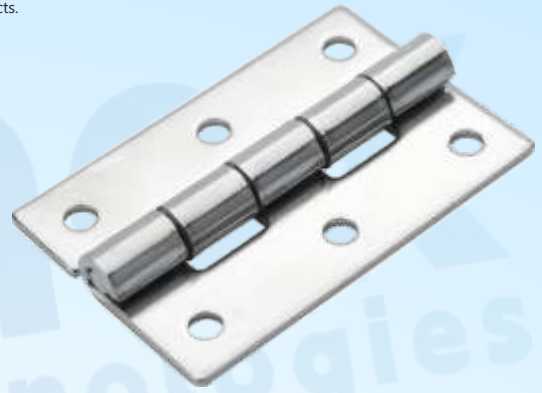
Round hole stainless steel Flat Hinges, including staggered hole products, with the mounting position adjustable according to actual needs. Pearlescent matte effect on the surface.

It can also be mounted using an ordinary hexagon socket bolt.

However, the protrusion of the hexagon socket bolt will influence the opening and closing angle of the Flat Hinges to a certain extent.

### Specifications Overview of Flat Hinges

- Flat Hinges Material table



## Material

SUS304

Precautions of Flat Hinges To mount the Flat Hinges on the panel, etc., it is recommended to use the nut for butterfly hinge.

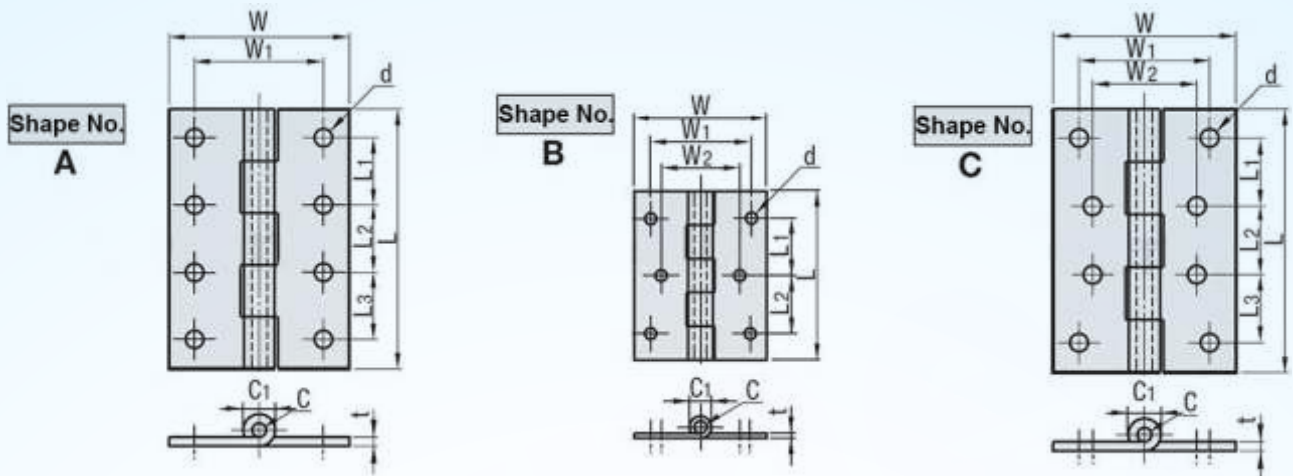
Please check the following type to purchase:

DHHPNT

DHHPFNT

Note: The staggered hole type Flat Hinges is not suitable for the recommended nut, so please pay attention to the selection.

Dimensional Drawing of Flat Hinges



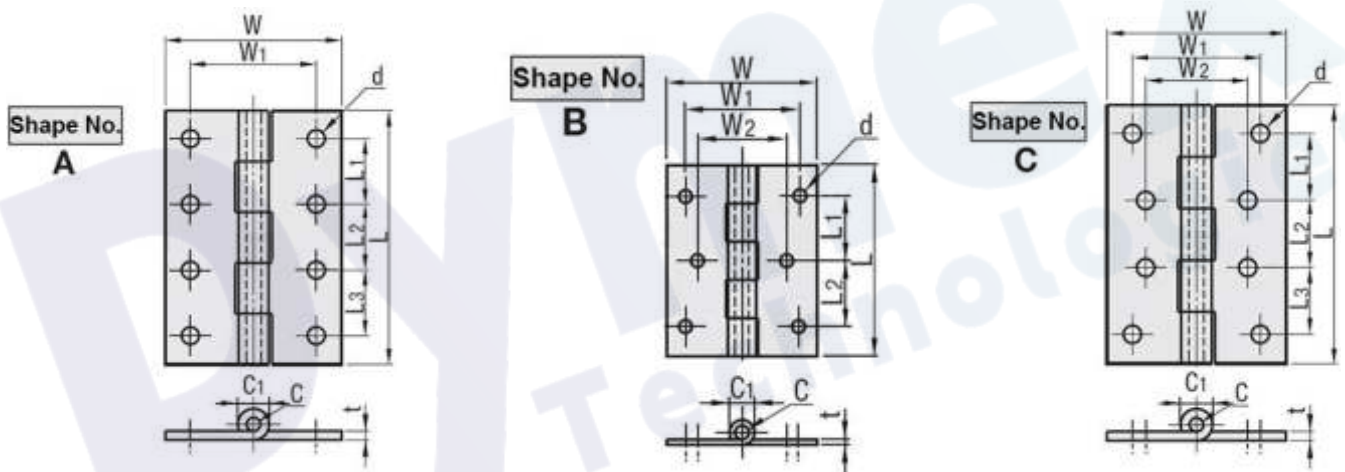
- Butterfly Flat Hinges DC-HHSN series products Dimensional drawing
- Specification Table of Flat Hinges

## Part Number (Type-No. or L) DC-HHSN25

| Part Number |      | L   | Shape No. | W  | W1 | W2 | L1  | L2  | L3 | C | C1   | t   | d   | Number of Segments | Allowable Load (N) | Weight (g) |
|-------------|------|-----|-----------|----|----|----|-----|-----|----|---|------|-----|-----|--------------------|--------------------|------------|
| Type        | No.  |     |           |    |    |    |     |     |    |   |      |     |     |                    |                    |            |
| DC-HHSN     | 25   | 25  | A         | 20 | 12 |    | 16  |     |    | 2 | 3.8  | 0.8 | 3.4 | 3                  | 9.8                | 6          |
|             | 30   | 30  |           |    |    |    | 22  |     |    |   |      |     |     |                    |                    | 7          |
|             | 40   | 40  |           | 28 | 12 |    |     |     |    |   |      |     |     |                    |                    |            |
|             | 50   | 50  |           | 36 | 16 |    |     |     |    |   |      |     |     |                    |                    |            |
|             | 65A  | 65  | B         | 50 | 30 | 30 | 23  | 23  |    | 4 | 8.5  | 2   | 4.5 | 5                  | 68.6               | 25         |
|             | 65   |     |           |    |    |    | 36  | 30  |    |   |      |     |     |                    |                    | 22         |
|             | 75A  | A   | 30        | -  | 27 | 27 | 5.5 | 147 | 46 |   |      |     |     |                    |                    |            |
|             | 75   | B   | 36        | 30 | 26 | 26 |     |     |    |   |      |     |     |                    |                    |            |
|             | 90A  | 90  | A         | 60 | 38 | -  | 35  | 35  |    | 6 | 12.7 | 3   | 6.6 | 6                  | 245                | 68         |
|             | 90   |     |           |    |    |    | B   | 46  |    |   |      |     |     |                    |                    |            |
|             | 100A | 100 | A         | 60 | 38 | -  | 26  | 26  | 26 |   |      |     |     |                    | 294                | 100        |
|             | 100  |     |           |    |    |    |     |     |    |   |      |     |     |                    |                    |            |

- Please know that the delivery time may be delayed.
- \* The allowable load is the value when 2 pieces are used.

- Dimensional Drawing



- Flat butterfly hinge DC-HHSN series products Dimensional drawing

## Basic Specifications

- Flat Hinge Type - Square Plate Type
- Mounting Method - Screw Mounting
- Main Body Type - Flag Hinge
- Additional Function - Not Provided
- Operating Environment - Standard
- Mounting Screw Hole Type - Round Hole

