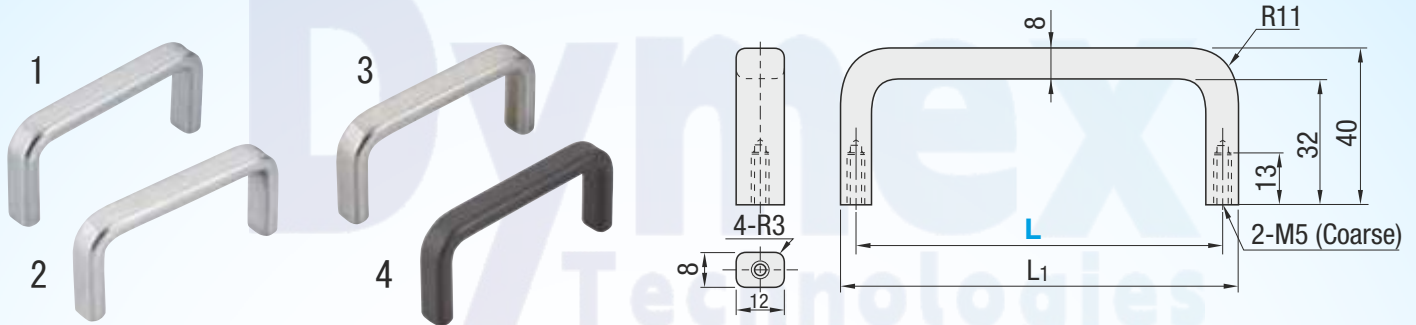


Oval / Square Bar Pull Handles

DUSAN

● Square Bar Pull Handles - L Fixed



Type	Material	Surface Treatment
1 DUSAN	SS400	Chrome Plating
2 DUSANS	SUS304	Buffing
3 DUSANA	Aluminum Alloy	Buffing
4 DUSANB	Aluminum Alloy	Electrostatic Paint (Mat Black)

Part Number Type	L	L1	Allowable Load (N)	Reference Mass (g)
				76
DUSAN (Steel) DUSANS (Stainless Steel) DUSANA (Aluminum) DUSANB (Aluminum, Black)	80	88	2500	88
	100	108		103
	125	133		125
	200	208		150
	250	258		180

● Basic Specifications

- **Environmentally Friendly** - RoHS compliant (10 substances)
- **Overall Height (mm)** - 40
- **Main Body Type** - Surfaced
- **Grip thickness (mm)** - 12
- **Surfaced Type Category** - U Shape
- **Mounting Method** - Female Thread
- **U Shape** - Square Bars
- **Additional Function** - Not Provided
- **Handle Cross Sectional Shape** - Square Shape
- **Grip thickness (mm)** - 12
- **Allowable Load (N)** - 2500
- **Material Certificate** - Available

ORDERING GUIDE



DUSAN80