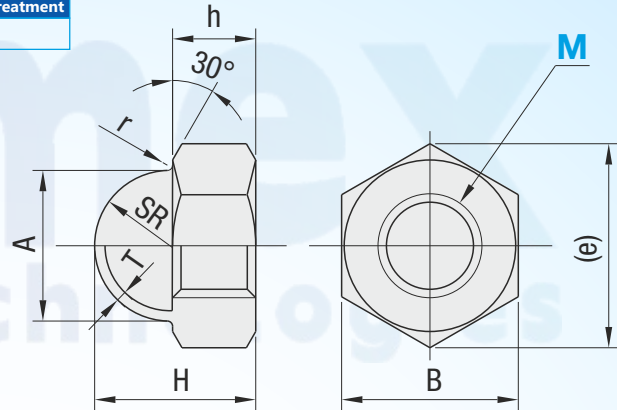


# Domed (Acorn) Nuts

DFNT

Type	M Material	S Surface Treatment
DFNT	SUS304 Equivalent	—



Hex nut section and the dome section are welded together.

JIS B 1183 (Type 3)

Part Number		H	h	B	A(min.)	T(min.)	e (Approx.)	r (Approx.)
Type	M (Coarse)							
DFNT	3	5.0	2.4	5.5	4.6	0.3	6.1	0.5
	4	6.2	3.2	7	5.6	0.6	8.1	
	5	7.5	4	8	6.6		9.2	
	6	9.5	5	10	8.5		11.5	
	8	12.5	6.5	13	11.5		0.8	
	10	15.5	8	17	14.5	1.0	19.6	1.0
	12	18.5	10	19	16.5	1.2	21.9	
	16	24	13	24	21.5	1.6	27.7	
	20	29	16	30	26.5		34.6	
	24	35.5	19	36	32.5		2.0	

## Basic Specifications

- **Material** - Stainless Steel
- **Applications, Functions** - Standard
- **Thread Type** - Metric, Coarse
- **Surface Treatment** - Not Provided
- **Sales Unit** - Low Quantity (Available beginning with 1 pc.)
- **Surface Treatment (Details)** - Not Provided

ORDERING GUIDE



DFNT20