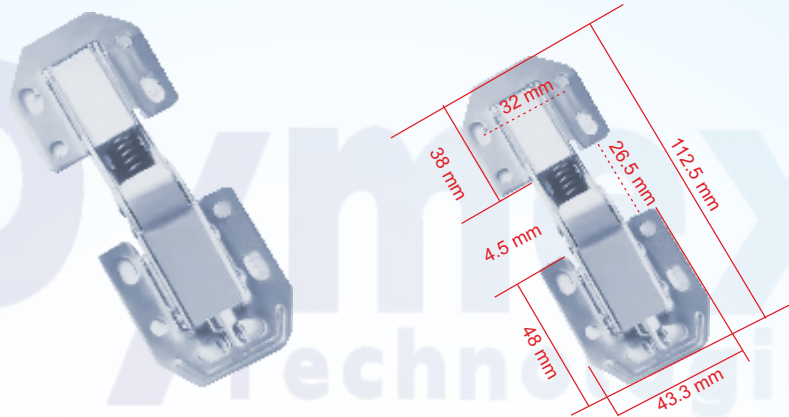


# Soft Close Spring Hinge

## 100 Degree Softclose Spring Hinges



### Basic Specifications

- **Material** - Alloy Steel
- **Finish Type** - Nickel Plating
- **Mounting Type** - Door Mount
- **Hole Count** - 8
- **Weight Limit** - 9 Kilograms
- **Net Quantity** - 2.00 Piece

### About This Item

- Quality you can count on. (Not Designed for big heavy doors over 9 Kg)
- Can be securely mounted, usually used for door installations that do not require secondary disassembly, such as the entire cabinet
- Opening Angle – 90 Degree
- Door Thickness – 14mm to 22 mm
- Soft Close - Yes and Easy Installation
- 8 hole design for fine adjustments of product location and stronger hold
- Pack of 1 pair

ORDERING GUIDE



[www.dymextech.com](http://www.dymextech.com)  
[india@dymextech.com](mailto:india@dymextech.com)