

T-Nut For Aluminum Frames With Slot Width Of 8 mm

- These are accessories specifically designed for European standard profiles and are not compatible with existing Dymex C · VALUE aluminum profiles due to size differences.
- Please follow the selection steps ① ~ ③ after selecting the type and parameters, place an order

ORDERING GUIDE



Type (@Type - Slot Width Series)

M

DLNTN6 - 20

- 4

DLNSN8 - 30

- 5

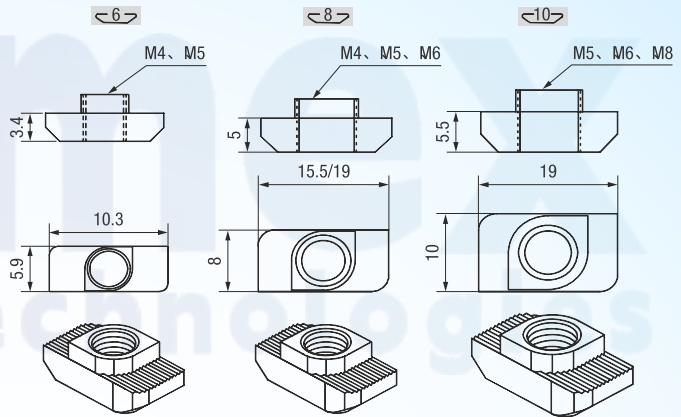
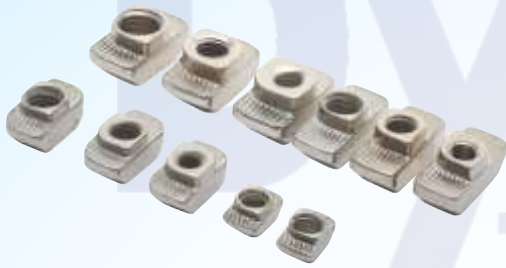
T Type Nut

DLNTN6-20

DLNTN8-30
DLNTN8-40

DLNTN10-45

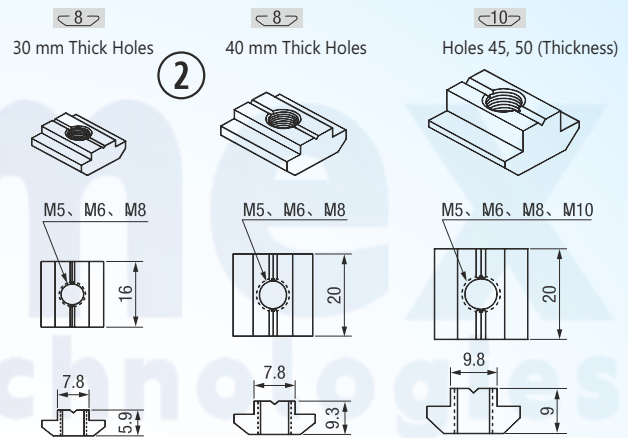
Type	Material	Surface Treatment
DLNTN	Carbon Steel	Nickel Plated



[Square Nut



Type	Material	Surface Treatment
DLNSN	Carbon Steel	Galvanized

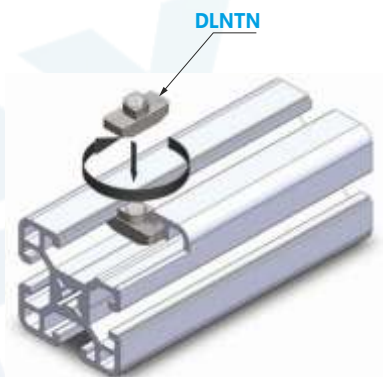


T Type Nut

Model		③ M
① Type	② Groove With Series	
DLNTN	6 - 20	4
		5
	8 - 30	4
		5
	8 - 40	6
		4
		5
	10 - 45	6
		5
		6
		8

[Square Nut

Model		③ M	
① Type	② Groove With Series		
DLNSN	8 - 30	5	
		6	
	8 - 40	8	
		5	
		6	
	10 - 45	8	
		5	
		6	
			10



Basic Specifications

- Nut Type** - T-Nuts
- Function** - Economy
- Type** - T Nuts
- Series** - Groove Width 8 mm for Aluminum Only
- Lock** - Not Provided
- Material** - Steel
- Surface Treatment** - Nickel Plating

