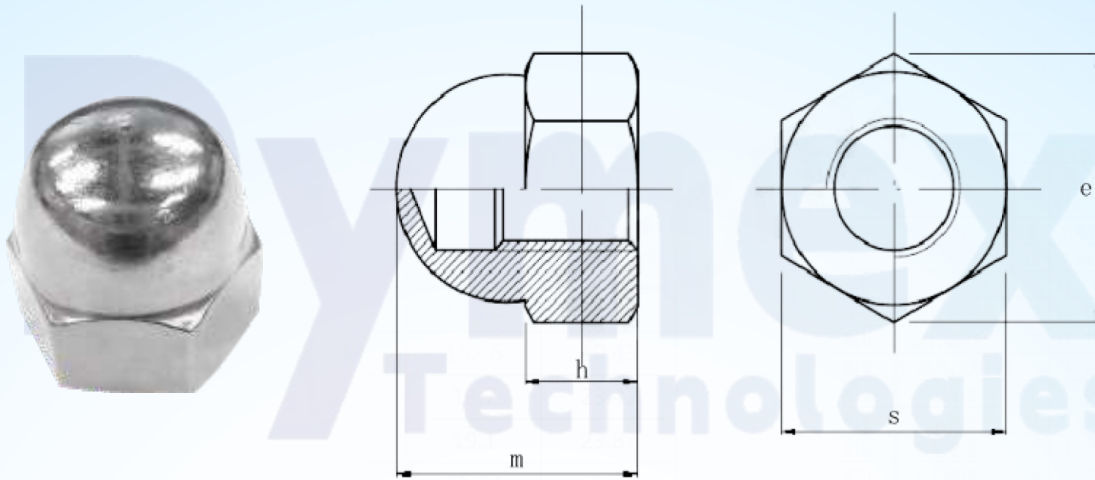


Cap Nut - Stainless steel DIN1587



Dimension		M3	M4	M5	M6	M8	M10	M12	M14	M16	M20	M24	M27	M30	M33	M36
P	Pitch	0.5	0.7	0.8	1	1.25	1.5	1.75	2	2	2.5	3	3	3.5	3.5	
m	Min. value	5.7	7.64	9.64	11.57	14.57	17.57	21.48	24.48	27.48	33.38	41.38	46.37	51.38	57.38	
	Max. value	6.2	8	10	12	15	18	22	25	28	34	42	47	52	58	63
h	Min. value	2.2	2.9	3.7	4.7	6.14	7.64	9.64	10.3	12.3	14.9	17.7	18.7	22.7	24.7	
	Max. value	2.28	3.2	4	5	6.5	8	10	11	13	16	19	20	24	26	29
s	Min. value	5.27	6.78	7.78	9.78	12.73	16.73	18.67	21.67	23.67	29.67	35.38	40	45.38	49	
	Max. value	5.5	7	8	10	13	17	19	22	24	30	36	41	46	50	55
e	Max. value	5.9	7.66	8.79	11.05	14.38	18.9	21.1	24.49	26.75	33.53	39.98	-	51.85	57.85	

Basic Specifications

- **Material** - Stainless Steel
- **Surface Treatment (Details)** - Not Provided
- **Thread Type** - Metric, Coarse
- **Sales Unit** - Box, Pkg.

ORDERING GUIDE



DE-PACK-DIN1587-SUS30(10)