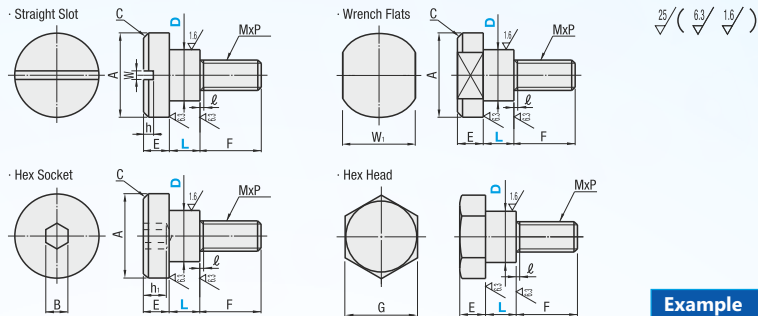


Fulcrum Pins

Selectable - Hex Socket

Straight Slot		Hex Socket		Wrench Flats	Hex Head	M	H	S
Standard Grade	Precision Grade	Standard Grade	Precision Grade	Standard Grade	Standard Grade	Material	Hardness	Surface Treatment
D -0.01 -0.05	Dg6	D -0.01 -0.05	Dg6	D -0.01 -0.05	D -0.01 -0.05	S45C Equivalent	—	Black Oxide
DCBBBD	—	DCBDBR	DCBDGBR	DCBDBW	DCBDBL		40~45HRC	
DCBBDH	—	DCBDBRH	—	DCBDBWH	—	SUS303 Equivalent	—	—
DCBD	DCBDG	DCBDR	DCBDGR	DCBDW	DCBDL		—	—



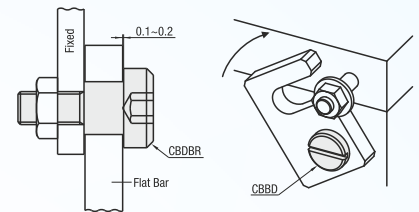
L Dimension Tolerance

	Standard
Unhardened	+0.15 +0.05
Hardend	+0.2 0

Precision Grade

D Tolerance (g6)	
4~6	-0.004 -0.012
8,10	-0.005 -0.014
12~15	-0.006 -0.017

Example



Part Number		L Selection	A	E		MxP (Coarse)	F	ℓ	W	B	h	h ₁	C	W	G	
Type				Straight Slot	Wrench Flats Hex Socket Hex Head											
Straight Slot (Standard)	Wrench Flats (Standard)	4	1 2 3 4 5 6 7 8	6	2	3.5	2.6 x 0.45	4	0.8	0.8	2	1	2	0.5	5	7
DCBBBD	DCBDBW	5	1 2 3 4 5 6 7 8 10	8	4	3 x 0.5	6	1	2.5		3.5		7		8	
DCBBDH	DCBDBWH	6	2 3 4 5 6 7 8 10	10		2.5	4 x 0.7	8	1.2	1.2	3	1.5	3	8	10	
CBD	DCBDW				4						4		3.5			
Straight Slot (Precision)	Hex Head (Standard)	8	5 6 7 8 9 10 12 20	12	3	4.5	5 x 0.8	10	1.4	4	3.5	1	10	13		
DCBDG	DCBDBL	10	5 6 7 8 9 10 12 15 20	16	4	5	6 x 1.0	12	1.5	5	4		13	17		
DCBDBR	DCBDBL	12	6 7 8 9 10 12 13 15 20	18	5		8 x 1.25	12	1.5	1.5	5		2	14	19	

For Hex Socket, L ≥ 5

Basic Specifications

- Basic Shape - Hex Socket
- Environmentally Friendly - RoHS Compliant (10 Substances)

ORDERING GUIDE



DCBD6 — L
DCBDG6R — 12