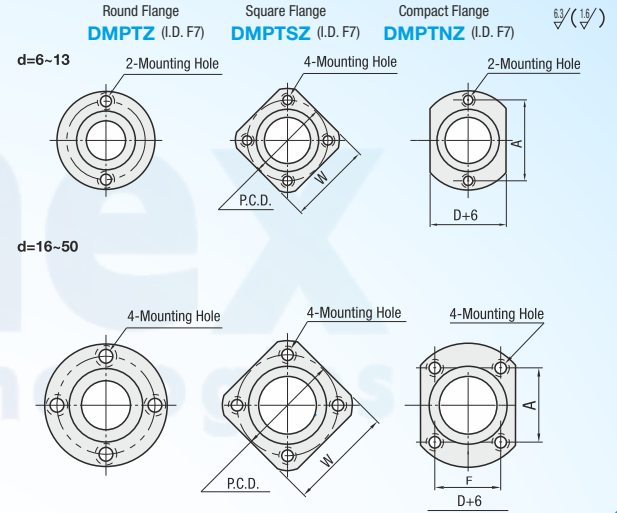
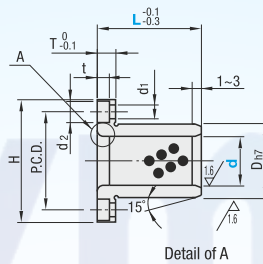


Flange Integrated Oil Free Bushings - Copper Alloy, Standard Flanged, I.D. F7



- **Features:** Suitable for use in limited space.
- **Thin Wall I.D. F7 O.D. m6**



- Recommended Mating Shaft for I.D. F7 Type
 - d8: General Use (High-Load)
 - e7: General Use (Light Load)
 - f8: High Precision Use
 - g6: High Precision Use (Intermittent Operation)

- Material: High Tensile Brass Alloy
Solid Lubricant Embedded
- ▲ Accessory: Hex Socket Low Head Cap Screws 2 ~ 4 pcs.

Part Number		L	dh7	H	T	t	d ₁	d ₂	P.C.D.	W	F	A	Accessory: Hex Socket Type dF7 Low Head Cap Screw
Type	dF7												
I.D. F7 DMPTZ DMPTSZ DMPTNZ	6	+0.022 +0.010	15 20	10	0 +0.015	25			17	20		17	M3-10x2 *(4)
	8	+0.028	20 25	12	0	27	4	2.2	3.5	6		19	
	10	+0.013	20 25 30	14	+0.018	29						21	
	12		20 25 30	18		36						26	
	13	+0.034	20 25 30 35	19	0	37	5	3	4.5	7.5		27	M4-12x2 *(4)
	16	+0.016	20 25 30 35 40	22	+0.021	40						30	
	20		25 30 35 40 50	28		49	6	3.7	5.5	9		38	M5-16x4
	25	+0.041	30 35 40 50 60	33	0	54						43	
	30	+0.020	35 40 50 60 70	38	0	63	8	4.2	6.6	11		50	
	35		50 60 70	44	+0.025	69						56	M6-20x4
	40	+0.050	60 70 80	50	0	82						66	
	50	+0.025	70 80 100	62	0 +0.030	94	10	5.2	9	14		78	

Part Number	
Type	d-L
I.D. F7 DMPTZ DMPTSZ DMPTNZ	6-15
	20
	8-20
	25
	10-20
	25
	30
	12-20
	25
	30
	13-20

● * Values in () are the number of screws included in DMPTSZ.

Basic Specifications

- **Type** - Flange Integrated
- **Maximum Allowable Velocity (m/s)** - 0.5
- **Operating Temperature Range (°C)** - -40:150
- **Metal Type** - High-Tensile Brass Alloy
- **Max. Allowable PV Value Range (N/mm² · m/s)** - 1.1~2.0
- **Max. Allowable Surface Pressure P (N/mm²)** - 29
- **Max. Allowable PV Value (N/mm² · m/s)** - 1.65

ORDERING GUIDE



- L

DMPTZ12 - 30