

Hinges for Heavy Loads / Hinges with Slotted Holes

Aluminum Hinges with Slotted Holes

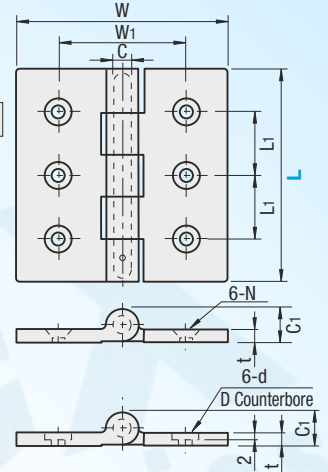
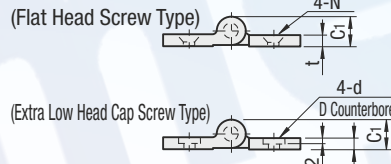
Hinges For Heavy Loads

Type		Material	Surface Treatment	
Flat Head Screw Type	Extra Low Head Cap Screw Type		Hinge Plate	Shaft
DHHSZ	DHHSZT	SUS316	Buffing	-
DHHSZD	-	Zinc Die Cast	Chrome Plating	-



ShapeNo. A

ShapeNo. B



Basic Specifications

- Main Body Type - Standard
- Additional Function - Not Provided
- Operating Environment - Standard
- Reversed - Used in both right and left direction
- Mounting Method - Mounting Method
- Environmentally Friendly - RoHS Compliant (10 Substances)

Part Number	Type	L	Shape No.	W	W1	L1	C	C1	t	DHHSZ, DHHSZS		DHHSZT		* Allowable Load (N)	Weight (g)
										N		D	d		
										Through	Countersink				
DHHSZ DHHSZD DHHSZT	50	A	50	35	20	6	14	5	4.4	8.6	8.6	4.6	3	350	110
	65		65	40	35									5.6	10.6
	75		75	50	40	6.6	12.6	10.6	6.6	650	305				
	100	B	100	60	30	8	16	6	6.6	12.6	-	-	5	850	500
	125		100	60	37.5									8	16

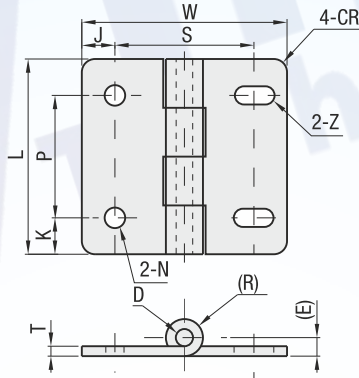
The allowable load is the value when 2 pieces are used.

Hinges with Slotted Holes

DSHPSNA



The hinge nuts on P.1199 are recommended when mating to panels, etc.



Basic Specifications

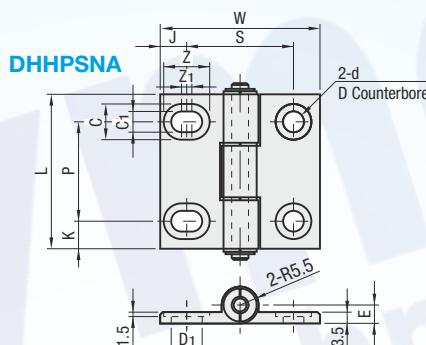
- Main Body Type - Standard
- Mounting Screw Hole Type - Slotted Hole
- Mounting Method - Mounting Method
- Material Details - SUS304
- Additional Function - Not Provided
- Environmentally Friendly - RoHS Compliant (10 Substances)

Material: SUS304

Part Number	Type	*Allowable Load		Mass (g)	L	W	K	P	J	S	N	Z	T	(E)	(R)	CR	D
		Kg	N														
DSHPSNA	5	9	88	34	41	36	8	25	7.5	21	5.5	5.5 x 6.5	2	4.6	4.6	4	5
	6	12	117	48	48	9	30	8	32	5.5 x 10							
	8	25	245	111	59	62	11	37	10	42	6.5	6.5 x 10	3	6.1	6.1	5	6

The allowable load is the value when 2 pieces are used.

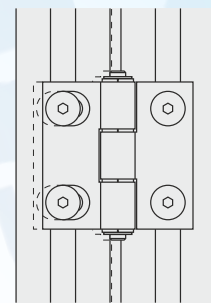
Aluminum Hinges with Slotted Holes



Material: A6063, Bushing: Polyacetal
Surface Treatment: Clear Anodize

Example

The hinge nuts on P.1199 when mating to panels, etc.



right and left positions.

Part Number	Type	*Allowable Load		Mass (g)	L	W	K	P	J	S	d		D	D1	C	C1	Z	Z1	E	R
		Kg	N								Through	Countersink								
DHHPSNA	5	10	98	22	47	36	11	25	7.5	21	5.5	10	7	10	5.5	11.5	1.5	5	5	
	6			32		48	8.5	30	8	32										9.5
	8			47	63	62	13	37	10	42	6.5	11	11.5	11	6.5	16	5			

The allowable load is the value when 2 pieces are used.

Basic Specifications

- Main Body Type - Standard
- Mounting Method - Screw Mounting
- Additional Function - Not Provided
- Mounting Screw Hole Type - Slotted Countersunk Holes
- Allowable Load (N) - 98
- Cleaning Method - No Cleaning
- Characteristics / Applications - RoHS Compliant (10 Substances)
- Material Details - A6063
- Environmentally Friendly - RoHS Compliant (10 Substances)

ORDERING GUIDE



DHHSZ65
DSHPSNA5
DHHPSNA8