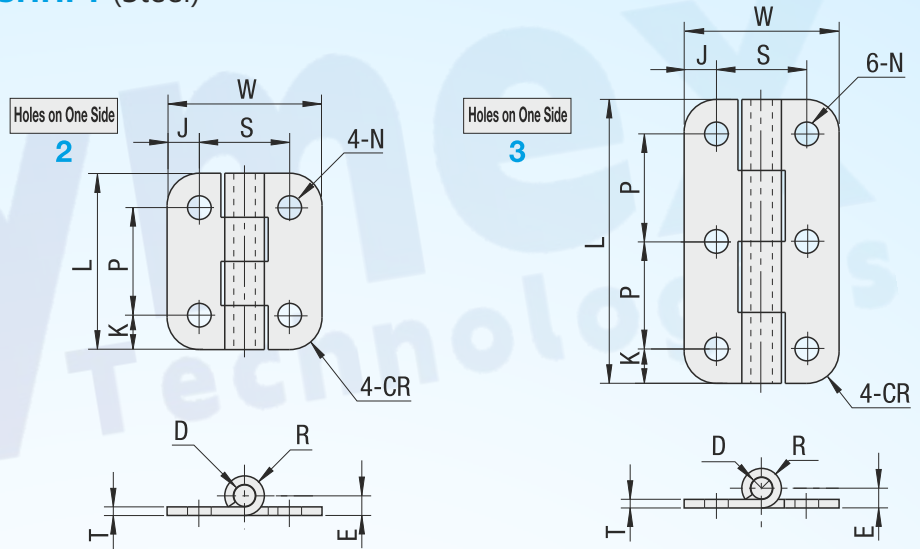


Stainless Steel Hinges / Steel Hinges / Through Hole

DSHHPS (Stainless Steel)
DSHHPSK (Stainless Steel, Brushed Finish)
DSHHPT (Steel)



Type	M Material	S Surface Treatment
DSHHPS	SUS316	—
DSHHPSK	SUS304	Brushed Finish
DSHHPT	SPCC or SPHC	Chrome Plating

Part Number	Type	Holes on One Side	* Allowable Load		Mass g	L	W	K	P	J	S	N	T	E	R	CR	D
			kg	N													
DSHHPS DSHHPSK	5	2	9	88	43	41	36	8	25	7.5	21	5.5	2	4.6	4.6	7.5	5
		3	11	108	70	66											
	6	2	12	117	60	48	48	9	30	8	32	6.5	3	5.6	5.6	10	6
		3	15	147	98	78											
	8	2	25	245	130	59	62	11	37	10	42	6.5	3	5.6	5.6	10	5
		3	38	372	230	96											
	845	2	30	294	190	70	80	13.5	43	16.5	47	6.5	3	5.6	5.6	10	5
		3	40	392	325	113											

* The allowable load is the value when 2 pieces are used.

Part Number	Type	Holes on One Side	* Allowable Load		Mass g	L	W	K	P	J	S	N	T	E	R	CR	D
			kg	N													
DSHHPT	5	2	9	88	36	41	36	8	25	7.5	21	5.5	2	4.6	4.6	7.5	5
		3	11	108	59	66											
	6	2	12	117	50	48	48	9	30	8	32	6.5	3.2	6.5	6.5	5	6
		3	15	147	83	78											
	8	2	25	245	124	59	62	11	37	10	42	6.5	3.2	6.5	6.5	5	6
		3	38	372	207	96											
	845	2	30	294	181	70	80	13.5	43	16.5	47	6.5	3.2	6.5	6.5	5	6
		3	40	392	298	113											

* The allowable load is the value when 2 pieces are used

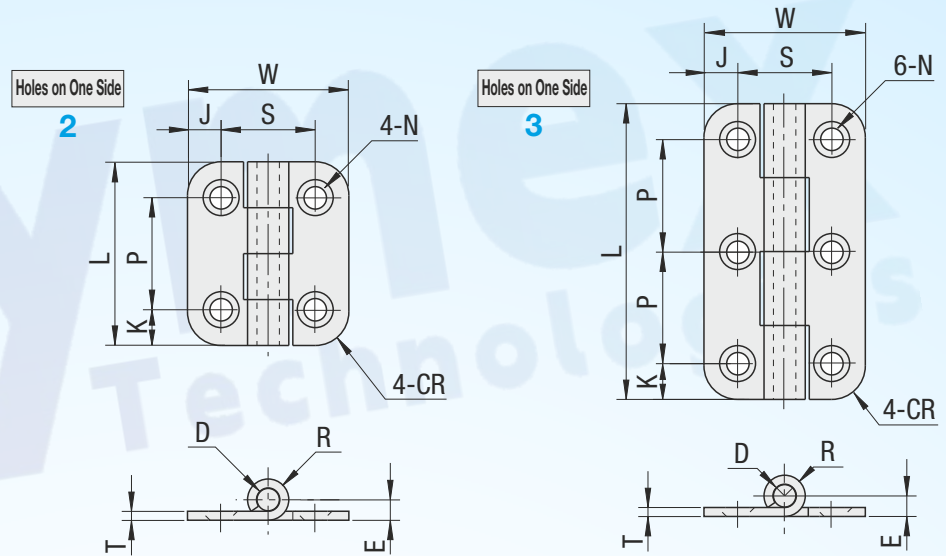
Basic Specifications

- **Main Body Type** - Standard
- **Mounting Screw Hole Type** - Round Hole
- **Mounting Method** - Screw Mounting
- **Cleaning Method** - No Cleaning
- **Additional Function** - Not Provided
- **Environmentally friendly** - RoHS Compliant (10 Substances)



Stainless Steel Hinges / Steel Hinges / Through Hole

DSHHPSD (Stainless Steel, Countersink)



M Material

SUS304

Part Number	Type	No	Holes on One Side	* Allowable Load		Mass g	L	W	K	P	J	S	N		T	E	R	CR	D
				kg	N								Through	Countersink					
DSHHPSD	5		2	9	88	34	41	36	8	25	7.5	21	5.5	8.6 (For M4 Screw)	2	4.6	4.6	7.5	5
			3	11	108	56	66												
	6		2	12	117	49	48	48	9	30	8	32	5.5	8.6 (For M4 Screw)	2	4.6	4.6	7.5	5
			3	15	147	80	78												
	8		2	25	245	111	59	62	11	37	10	42	5.5	10.6 (For M5 Screw)	3.2	6.5	6.5	5	6
			3	38	372	185	96												
	845		2	30	294	162	70	80	13.5	43	16.5	47	5.5	10.6 (For M5 Screw)	3.2	6.5	6.5	5	6
			3	40	392	266	113												

* The allowable load is the value when 2 pieces are used.

Basic Specifications

- Main Body Type - Standard
- Mounting Screw Hole Type - Round Hole
- Mounting Method - Screw Mounting
- Cleaning Method - No Cleaning
- Additional Function - Not Provided
- Environmentally friendly - RoHS Compliant (10 Substances)

