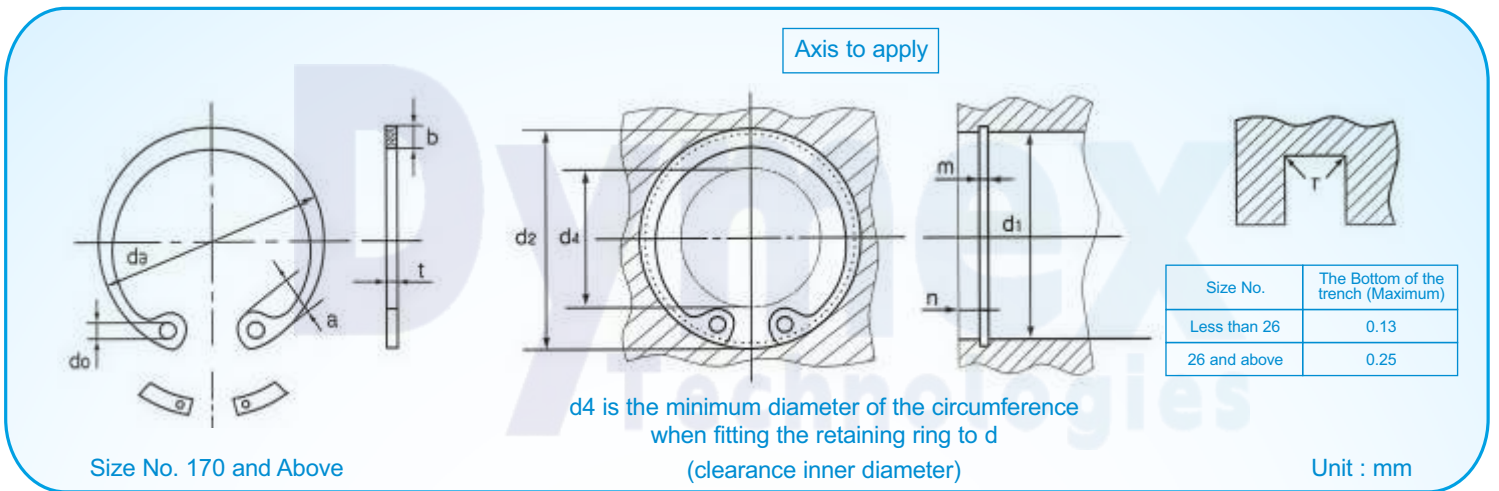


Retaining Rings -

C Type (Internal) / Retaining Ring Pliers -DRTW



Size No.	Retaining Ring							Applicable Hole						
	d3		t		b	a	d0	d4 (Reference)	d1	d2		m		Reference n Smallest
	Basic Dimensions	Tolerance	Basic Dimensions	Tolerance	About	About	Smallest		Basic Dimensions	Tolerance	Basic Dimensions	Tolerance		
DRTW- ×6	6.7	±0.18	0.4	±0.03	0.7	1.6	0.8	2.5	6	6.25	+0.04	0.5	+0.1 0	0.5
×7	7.7		0.4		0.8	1.7	0.8	3	7	7.3	0.5			
×8	8.8		0.4		0.9	1.7	0.8	3.5	8	8.4	0.5			
×9	9.8		0.6	±0.04	1.1	2.2	0.8	4	9	9.4	0	0.7		0.6
×10	10.7		1	±0.05	1.5	2.8	1.2	4	10	10.4	+0.11 0	1.15		0.6
×11	11.8		1		1.5	3	1.2	4	11	11.4		1.15		
×12	13		1		1.7	3.1	1.5	5	12	12.5		1.15		
×13	14.1		1		1.7	3.1	1.5	6	13	13.6		1.15		
×14	15.1		1		1.9	3.6	1.7	7	14	14.6		1.15		
×15	16.2		1		1.9	3.6	1.7	8	15	15.7		1.15		
×16	17.3		1	1.9	3.7	1.7	8	16	16.8	1.15				
×17	18.3		1	1.9	3.8	1.7	9	17	17.8	1.15				
×18	19.5		1	2.4	4	1.7	10	18	19	1.15				
19	20.5		1	2.5	4	2	11	19	20	1.15				
20	21.5		1	2.5	4	2	12	20	21	1.15				
21	22.5		±0.2	2.5	4.1	2	12	21	22	+0.21 0	1.15	1.5		
22	23.5		1	2.5	4.1	2	13	22	23	1.15	1.5			
24	25.9		1.2	±0.06	2.5	4.3	2	15	24	25.2	+0.25 0	1.35		1.8
25	26.9	1.2	3		4.4	2	16	25	26.2	1.35				
26	27.9	1.2	3		4.6	2	16	26	27.2	1.35				
28	30.1	1.2	3		4.6	2	18	28	29.4	1.35				
30	32.1	1.2	3		4.7	2	20	30	31.4	1.35				
32	34.4	1.2	3.5		5.2	2.5	21	32	33.7	1.35				
34	36.5	±0.25	1.5	±0.07	3.5	5.2	2.5	23	34	35.7	1.65	2.6		
35	37.8	1.5	3.5		5.2	2.5	24	35	37	1.65	+0.14 0	3.0		
36	38.8	1.5	3.5		5.2	2.5	25	36	38	1.65	3.0			
37	39.8	1.5	3.5		5.2	2.5	26	37	39	1.65	3.0			
38	40.8	1.5	4		5.3	2.5	27	38	40	1.65	3.0			
40	43.5	±0.4	1.75		4	5.7	2.5	28	40	42.5	1.9	3.8		
42	45.5	1.75	4	5.8	2.5	30	42	44.5	1.9	3.8				
45	48.5	1.75	4.5	5.9	2.5	33	45	47.5	1.9	3.8				
46	49.7	1.75	5	6.1	2.5	33	46	48.5	1.9	3.8				
47	50.5	1.75	4.5	6.1	2.5	34	47	49.5	1.9	3.8				
48	51.5	1.75	4.5	6.2	2.5	35	48	50.5	1.9	3.8				
50	54.2	±0.45	2	±0.07	4.5	6.5	2.5	37	50	53	2.2	4.5		
52	56.2		2		5.1	6.5	2.5	39	52	55	2.2	4.5		
55	59.2		2		5.1	6.5	2.5	41	55	58	2.2	4.5		
56	60.2		2		5.1	6.6	2.5	42	56	59	+0.3 0	2.2	4.5	
58	62.2		2		5.1	6.8	2.5	44	58	61	2.2	4.5		
60	64.2		2		5.5	6.8	2.5	46	60	63	2.2	4.5		
62	66.2	2	5.5	6.9	2.5	48	62	65	2.2	4.5				
63	67.2	2	5.5	6.9	2.5	49	63	66	2.2	4.5				
65	69.2	2.5	±0.08	5.5	7	2.5	50	65	68	2.7	4.5			

