

# Flag Hinges / Flag Hinges for Unequal Size Extrusions / Stop Hinges Steel

## Flag Hinges



(The photo is for left-hand use.)

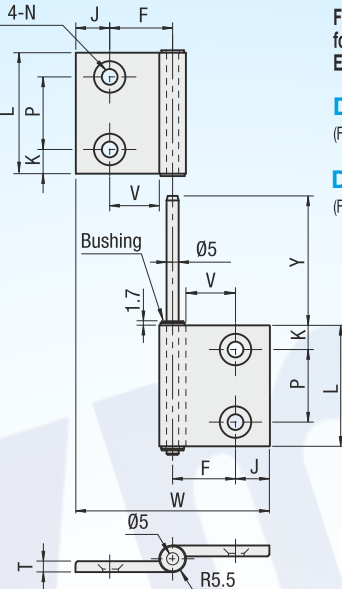


(The photo is for right-hand use.)

### Flag Hinges

**DHHPFLN**  
(For Left-hand Use)

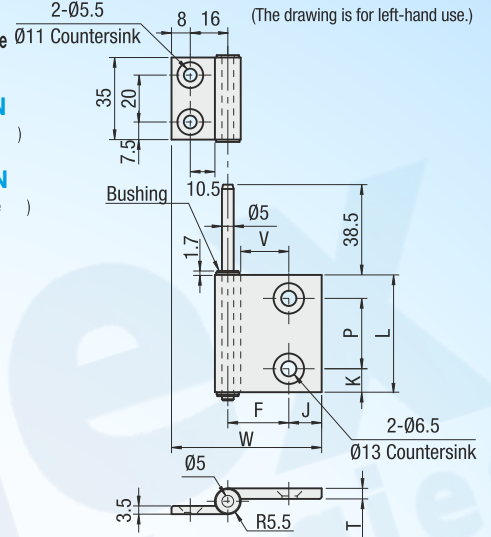
**DHHPFRN**  
(For Right-hand Use)



### Flag Hinges for Unequal Size Extrusions

**DHHPFLN**  
(For Left-hand Use)

**DHHPFRN**  
(For Right-hand Use)



**M** Material: A6063S-T5, Bushing: Polyacetal (White)  
**S** Surface Treatment: Anodize

Part Number	*Allowable Load	Mass (g)	L	W	K	P	J	F	V	N		T	Y		
										Through	Countersink				
<b>DHHPFLN</b> <b>DHHPFRN</b>	5	10	98	36	35	48	7.5	20	8	16	10.5	5.5	11	3.5	38.5
	6			46	40	62	7.5	25	10	21	15.5				
	8	15	147	74	50	80	10	30	14	26	26	6.5	13	4.5	53.5
	8-45			74	50	80	10	10	11.5	28.5	28.5				
<b>DHHPFDLN</b> <b>DHHPFDRN</b>	6	10	98	42	40	55	7.5	7.5	10	21	21	-	-	3.5	-
	8	15	147	56	50	64	10	10	14	26	26				
	8-45			56	50	64	10	10	11.5	28.5	28.5	4.5	-		

\* The Allowable Load Is The Value When 2 Pieces Are Used.

### Example



The Hinge Nuts on **P.1199** Are Recommended When Mating To Panels, etc.

## Basic Specifications

- Main Body Type** - Detachable Hinges
- Mounting Method** - Screw Mounting
- Additional Function** - Not Provided
- Mounting Screw Hole Type** - Countersink
- Environmentally Friendly** - RoHS Compliant (10 Substances)
- Detachable, Flag Hinge Type** - Flag Hinges
- Cleaning Method** - No Cleaning
- Characteristics/Applications** - Non-magnetic
- Material Details** - A6063

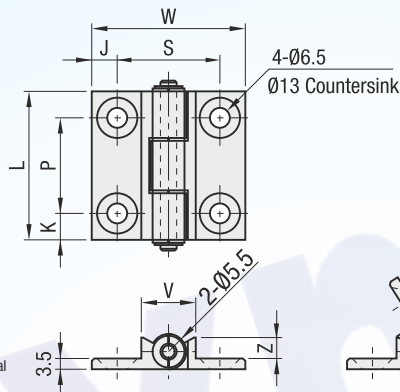


ORDERING GUIDE



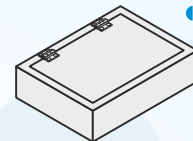
**DHHPFLN8-45**

## DHHPSNH

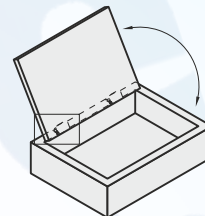


**M** Material: A6063-T5, Bushing: Polyacetal  
**S** Surface Treatment: Clear Anodize

The lid of the box stops at a constant level.



The hinge nuts on **P.1199** are recommended when mating to panels, etc.



If a hinge is positioned within 90°, the panel automatically falls to be flat.

Part Number	A (Angle)	*Allowable Load		Mass (g)	L	W	K	P	J	F	V	V		
		Kg	N											
<b>DHHPSNH</b>	6	120	10	98	37	47	48	8.5	30	8	32	17	6.8	
		135			36								5.4	
		150			35								4.2	
	8	120	10	98	58	63	62	13	37	10	42	21	5.8	7.3
		135			56									5.8
		150			55									4.5

\* The Allowable Load Is The Value When 2 Pieces Are Used.

## Basic Specifications

- Main Body Type** - Standard
- Mounting Method** - Screw Mounting
- Additional Function** - Stop Hinges
- Mounting Screw Hole Type** - Countersink
- Allowable Load (N)** - 98

ORDERING GUIDE



**DHHPSNH6 - 120**

Angle