

# Configurable Length Screws with Hex Sockets

## Tip Shape Selectable



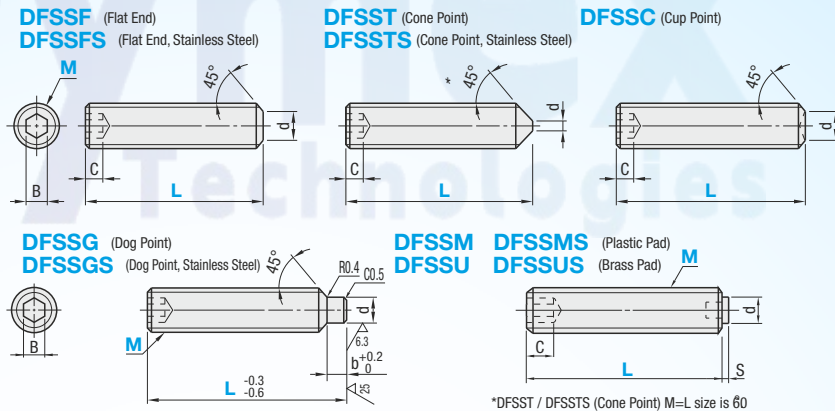
### Basic Specifications

- Environmentally friendly - RoHS Compliant (10 Substances)
- Tip Shape - Flat End
- Drive Type - Hex Socket
- Additional Shape - Standard
- Thread Type - Metric, Coarse
- Sales Unit - Sold Individually (No Min. Purchase)
- Application - Standard

### Configurable Length Screws with Hex Sockets Tip Shape Selectable



Type	M Material	S Surface Treatment	Pad
DFSSF DFSST DFSSC DFSSG	S45C	Black Oxide	-
DFSSM	SCM435	Black Oxide Coating	White Polyacetal
DFSSU			Free-cutting Brass (C3604BD)
DFSSFS DFSSTS DFSSGS	SUS304	-	-
DFSSMS	Equivalent	-	White Polyacetal
DFSSUS			Free-cutting Brass (C3604BD)



Part Number		L 1mm Increment	B	C (Min.)	d (Max.)					S (with Plastic / Brass Pad)	b (Dog Point)
Type	M				Flat End	Cone Point	Cup Point	Dog Point	with Plastic / Brass Pad		
DFSSF (Flat End)	5	20~250	2.5	3	3.5	1.25	2.5	4	3	1	4
DFSSFS (Flat End, Stainless Steel)	6		3.0	3.5	4.0	1.5	3	4	4	1	4
DFSST (Cone Point)	8		4.0	5	5.5	2.0	5	6	5	2	5
DFSSGS (Dog Point, Stainless Steel)	12	20~400	5.0	6	7	2.5	6	8	6	2	6
DFSSG (Dog Point)	10		6.0	8	8.5	3	8	8	8	2	7
DFSSMS (Brass Pad)	16		8.0	10	12	4	10	10	10	3	9
DFSSM (Plastic Pad)	20		10.0	12	15	5	14	12	13	3	11
DFSSU (Brass Pad)	20										

### ORDERING GUIDE



M	L
5	20~100
	101~200
	201~250
6	20~100
	101~200
	201~250
8	20~100
	101~200
	201~400
10	20~100
	101~200
	201~400
12	20~100
	101~200
	201~400
16	20~100
	101~200
	201~400
20	20~100
	101~200
	201~400

Alteration Code	Tip Induction Hardened DSKH
Spec.	Induction hardening at 2 ~ 3mm away from the tip. Hardness: 40 ~ 45HRC Ordering Code DSKH
	Applicable only to DFSSF, DFSST and DFSSG.

### ORDERING GUIDE

