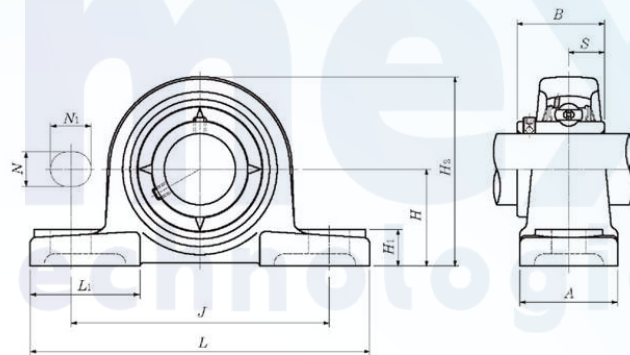
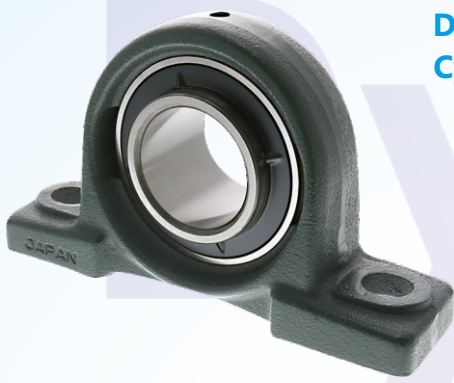


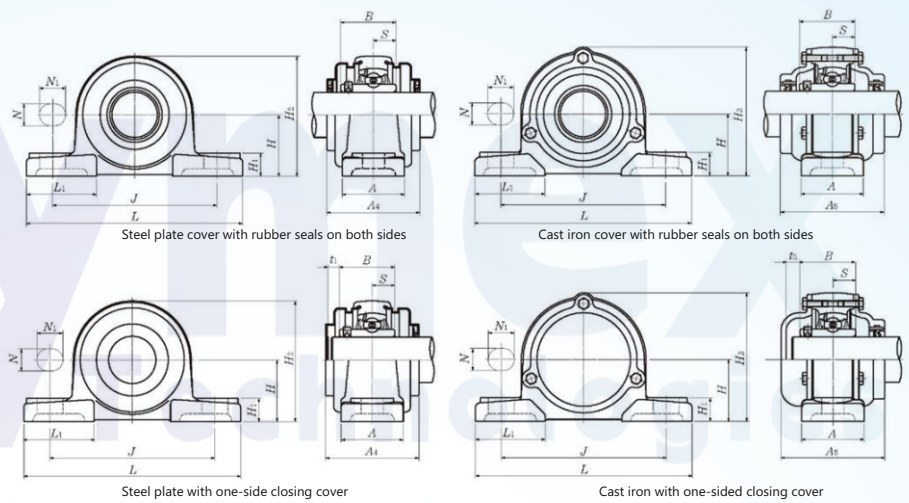
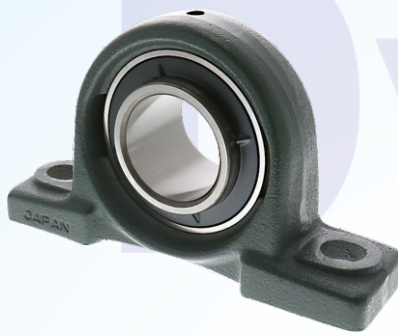
DUCP Shape Cylindrical bore, set screw type



Shaft diameter 12~50mm

Shaft Diameter mm	Unit Nominal Number	H	L	J	A	N	Ni	H1	H2	Li	B	S	Mounting Bolt Nominal Size	Bearing Number	Basic Dynamic Load Rating KN Cr	Basic Static Load Rating KN Cor
12	DUCP201	30.2	127	95	38	13	16	14	62	42	31	12.7	M10	UC201D1	12.8	6.65
15	DUCP202	30.2	127	95	38	13	16	14	62	42	31	12.7	M10	UC202D1	12.8	6.65
17	DUCP203	30.2	127	95	38	13	16	14	62	42	31	12.7	M10	UC203D1	12.8	6.65
20	DUCP204	33.3	127	95	38	13	16	14	65	42	31	12.7	M10	UC204D1	12.8	6.65
25	DUCP205	36.5	140	105	38	13	16	15	71	42	34.1	14.3	M10	UC205D1	14.0	7.85
	DUCPX05	44.4	159	119	51	17	20	18	85	50	38.1	15.9	M14	UCX05D1	19.5	11.3
	DUCP305	45	175	132	45	17	20	15	85	54	38	15	M14	UC305D1	21.2	10.9
30	DUCP206	42.9	165	121	48	17	20	17	83	54	38.1	15.9	M14	UC206D1	19.5	11.3
	DUCPX06	47.6	175	127	57	17	20	20	93	54	42.9	17.5	M14	UCX06D1	25.7	15.3
	DUCP306	50	180	140	50	17	20	18	95	54	43	17	M14	UC306D1	26.7	15.0
35	DUCP207	47.6	167	127	48	17	20	18	93	54	42.9	17.5	M14	UC207D1	25.7	15.3
	DUCPX07	54	203	144	57	17	20	21	105	60	49.2	19	M14	UCX07D1	29.1	17.8
	DUCP307	56	210	160	56	17	25	20	106	60	48	19	M14	UC307D1	33.5	19.1
40	DUCP208	49.2	184	137	54	17	20	18	98	52	49.2	19	M14	UC208D1	29.1	17.8
	DUCPX08	58.7	222	156	67	20	23	26	111	65	49.2	19	M16	UCX08D1	32.5	20.4
	DUCP308	60	220	170	60	17	27	22	116	60	52	19	M14	UC308D1	40.5	24.0
45	DUCP209	54	190	146	54	17	20	20	106	60	49.2	19	M14	UC209D1	32.5	20.4
	DUCPX09	58.7	222	156	67	20	23	26	116	65	51.6	19	M16	UCX09D1	35.0	23.2
	DUCP309	67	245	190	67	20	30	24	129	65	57	22	M16	UC309D1	53.0	32.0
50	DUCP210	57.2	206	159	60	20	23	21	114	65	51.6	19	M16	UC210D1	35.0	23.2
	DUCPX10	63.5	241	171	73	20	23	27	126	70	55.6	22.2	M16	UCX10D1	43.5	29.2
	DUCP310	75	275	212	75	20	35	27	143	75	61	22	M16	UC310D1	62.0	38.5

Upon request, we also manufacture bearing housings made of spheroidal graphite cast iron. In this case, the symbol "NI" is added after the bearing number. Example: DUCP320N1



Shaft diameter 12~50mm

Standard Bearing Housing Nominal Number	Steel Plate Cover Unit Nominal Number	Cast Iron Cover Unit Nominal Number	Size	Unit Mass kg (Reference)
	Cover With Rubber Seals On Both Sides	One-side closing cover	Cover With Rubber	One-Side Closing
P203	DS-UCP201	DSM-UCP201	DC-UCP201	DM-UCP201
P203	DS-UCP202	DSM-UCP201	DC-UCP202	DCM-UCP202
P203	DS-UCP203	DSM-UCP203	DC-UCP203	DCM-UCP203
P204	DS-UCP204	DSM-UCP203	DC-UCP204	DCM-UCP204
P205 PX05 P305	DS-UCP205 S-UCPX05 -	DSM-UCP205 DSM-UCPX05 -	DC-UCP205 DC-UCPX05 DC-UCP305	DCM-UCP205 DCM-UCPX05 DCM-UCP305
P206 PX06 P306	DS-UCP206 S-UCPX06 -	DSM-UCP206 DSM-UCPX06 -	DC-UCP206 DC-UCPX06 DC-UCP306	DCM-UCP206 DCM-UCPX06 DCM-UCP306
P207 PX07 P307	DS-UCP207 S-UCPX07 -	DSM-UCP207 DSM-UCPX07 -	DC-UCP207 DC-UCPX07 DC-UCP307	DCM-UCP207 DCM-UCPX07 DCM-UCP307
P208 PX08 P308	DS-UCP208 S-UCPX08 -	DSM-UCP208 DSM-UCPX08 -	DC-UCP208 DC-UCPX08 DC-UCP308	DCM-UCP208 DCM-UCPX08 DCM-UCP308
P209 PX09 P309	DS-UCP209 S-UCPX09 -	DSM-UCP209 DSM-UCPX09 -	DC-UCP209 DC-UCPX09 DC-UCP309	DCM-UCP209 DCM-UCPX09 DCM-UCP309
P210 PX10 P310	DS-UCP210 S-UCPX10 -	DSM-UCP209 DSM-UCPX09 -	DC-UCP210 DC-UCPX10 DC-UCP310	DCM-UCP210 DCM-UCPX10 DCM-UCP310

Features

- This is a typical type of bearing unit.
- Mounting on the shaft can be done simply by tightening the ball lock screws.
- Usage
- For transmission devices and general machinery.

Specification

- SPQ(piece):1
- Oil-lubricating Unit Pillow Type
- Lock Screw Type
- Working Temperature Range: -15 to 100°C

Materials

- Bearing: High carbon chromium steel bearing
- Bearing Housing: Cast Iron

Basic Specifications

- Unit, Type - Bearing unit
- Type of Pillow Blocks - Standard
- Bearing Unit, Type - Pillow Type
- Surface Treatment - No
- Unit Body Material - Cast Iron

