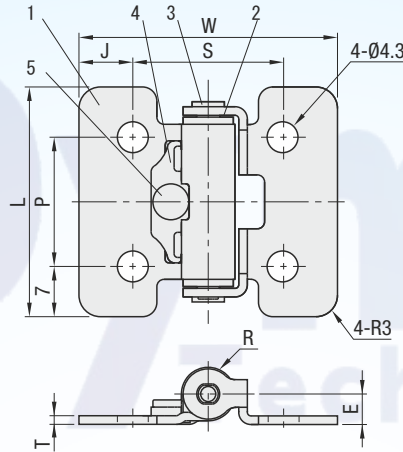
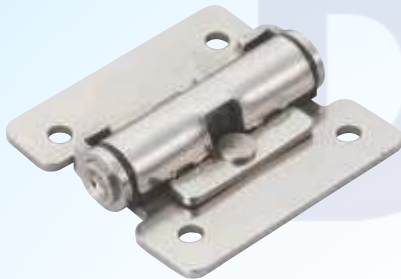


# Torque Hinges

## Fixed Torque

### Fixed Torque

DHHPT



Part Name	Material
1 Hinge Plate	SUS304
2 Plastic Barrel	Polyacetal
3 Shaft	SUS303
4 Plate	SUS304
5 Swage Pin	SUSXM7

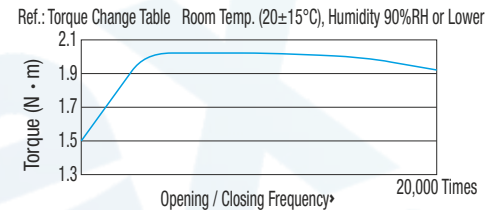
#### Caution

- Use two hinges for one door/lid.
- Align the axes of the two hinges.
- Do not use the hinges outdoors or in any places where oil or grease adheres to the hinges.
- Do not use the hinges in any places requiring continuous open-close movements.
- Given the product characteristics, vertical usage is not assumed. For vertical use, adjust allowable load and torque value to the actual operating conditions.

- Operating Temp. Range: -10°C ~ 50°C
- Operating Humidity Range: 90%RH or lower

Part Number		Rated Torque*		Mass (g)	L	W	P	J	S	T	E	R
Type	No.	N * m	kgf * cm									
DHHPT	3	0.35	3.4	15	32	36	18	7.5	21	1.2	4.25	7.5
	7	0.7	6.9	28	40	48	26	8	32	1.2	4.75	8.5
	15	1.5	14.7	64	50	48	36	8	32	2	6.5	12

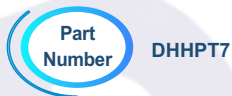
#### Example



Values are measured by using HHPT15 for reference, and not guaranteed.  
Opening/closing frequency: 5 times per minute (0° ~ 160° per opening/closing)  
\* The torque is set to a value higher than the rated torque before shipping considering the torque degradation due to aging and temperature/humidity change.

- \* Rated torque has a margin of error between +40% and -20%.
- \* Rated torque value is for a single hinge.

### ORDERING GUIDE

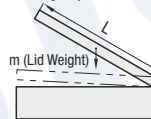


#### How to Select Torque Hinges

When operated as a lid as shown on right, calculate the necessary torque according to the following formula before selecting a torque hinge that satisfies the specifications. (Assume that the lid's center of gravity lies in the middle.)

[Formula]  
Max. Torque  $T = L / 2 \times m$  (Weight: kg) x 9.8 (Newton: N)

(Ex) When  $L=0.3m$  and  $m=2kg$ ,  
Max. Torque  $T = 0.3/2 \times 2 \times 9.8 = 2.94N \cdot m$ .  
⇒ Select 2 pcs. of **HHPT15**.



### Basic Specifications

- Main Body Type** - Damper, Torque, Spring Hinge
- Mounting Screw Hole Type** - Round Hole
- Additional Function** - With Torque Function
- Environmentally Friendly** - RoHS Compliant (10 Substances)
- Material Details** - SUS304
- Characteristics/Applications** - Low Dust Generation / Conductive / Antistatic / Non-magnetic / Heat Resistance

ORDERING GUIDE



DHHPT7