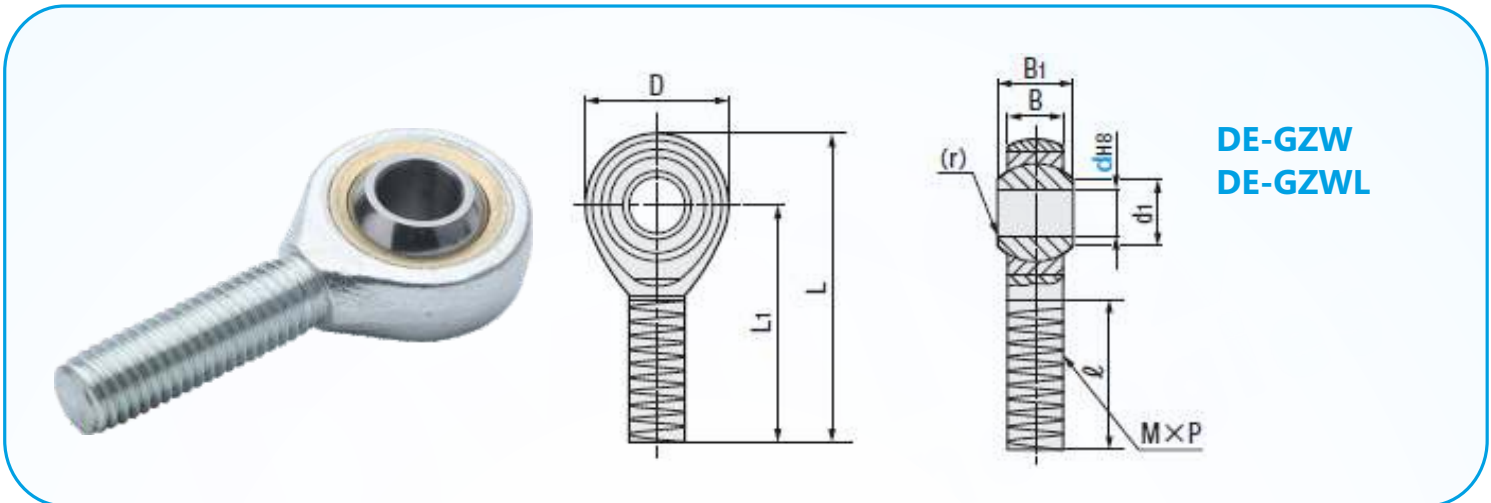


Rod End Bearings Lubrication Free, Male Threaded



DE-GZW
DE-GZWL

Lubrication free Spherical Bearings External threads are divided into two types, namely the right-hand thread and left-hand thread.

Shape of Spherical Bearings	Male Thread Type		Material			
			Holder	Inner Ring	Outer Ring	Bushing (Inner Lining)
Lubrication Free	Right-Hand Thread	Left-Hand Thread	S45C (Zinc Plating)	Bearing Steel	H59	PTFE

Connecting Thread Specification M x P	Connecting Thread Direction	Part Number d	D	L	L ₁	ℓ	B	B ₁	(r)	Static Load Capacity Radial Cs (kN)	Weight
M5 x 0.8	Right-Hand Left-Hand	5	18	42.5	33	19	6	8	7.7	6	13
M6 x 1.0		6	20	46.5	36	21	6.7	9	8.96	7.65	20
M8 x 1.25		8	24	54.5	42	25	9	12	10.4	12.9	38
M10 x 1.5		10	28	62.5	48	28	11	14	12.9	18	55
M12 x 1.75		12	32	70.5	54	32	12	16	15.4	24	85
M14 x 2.0		14	36	78.5	60	36	14	19	16.9	31	140
M16 x 2.0		16	40	87.5	66	37	15	21	19.4	39	210
M20 x 1.5		20	50	103	78	41	18	25	23	57	380

Basic Specifications

- Rod End Bearing Type 1 - Standard Type
- Type (Details) - Rod End Bearings
- Main Body Material 1 - S45C
- Bushing Material - PTFE
- Connecting Thread Shape - TThreaded
- Lubrication Method - Oil Free

Example

