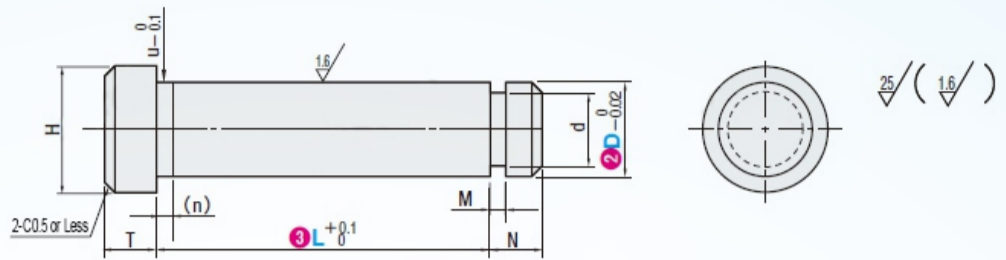


Pivot Pins Shouldered With Retaining Ring Groove



① D tolerance is limited to the L dimension range. Others are general tolerances.

① Specifications Overview of Hinge Pins
Material Specification table of Hinge Pins

Type	D[Φ:mm]	M	Material	H	Hardness	S	Surface Treatment	A	Accessories
DC-HCDG	3~10		S45C Equivalent		—		Ferroferric Oxide Protective Film		—

- ① The product does not come with a retaining ring. For retaining ring models, please refer to Dimension specification table.
- ① If there are requirements for rust prevention, give priority to high-quality Hinge Pins.

① Material Specification Table of Hinge Pins

Type	D[Φ:mm]	M	Material	H	Hardness	S	Surface Treatment	A	Accessories
DC-HCDG	3~10		S45C		—		Ferroferric Oxide Protective Film		—

Dimension Specification Table of Hinge Pins

Part Number		L										Retaining Ring									
Type	D	Tolerance	(Fixed Size Selection)										M	N	u	n	u	T	H	Shape	JIS Nominal Specification
			DC-HCDG	3	0 -0.02	8	10	12	15	16	18	0.5									
4	8	10		12		15	16	18	20	3.9	3		6.5	No. 3							
5	10	12		15		16	18	20	4.9	4	8		No. 4								
6	15	16		18		20	22	24	25	30	5.8	5	9	No. 5							
8	20	22		25		30	35	40	7.8	7	12	C Type	No. 7								
10	25	30		35		40	9.8	9.6	2	14	No.10										

① For JIS engineering specifications of the supplied retaining ring, refer to Retaining Ring Specifications.

ORDERING GUIDE



- L
DC-HCDG8 - 30

① Material Specification Table

Type	M	Equivalent Material	H	Hardness	S	Surface Treatment	A	Accessories
DC-HCDG		S45C		—		Ferroferric Oxide Protective Film		—

① Dimension Specification Table

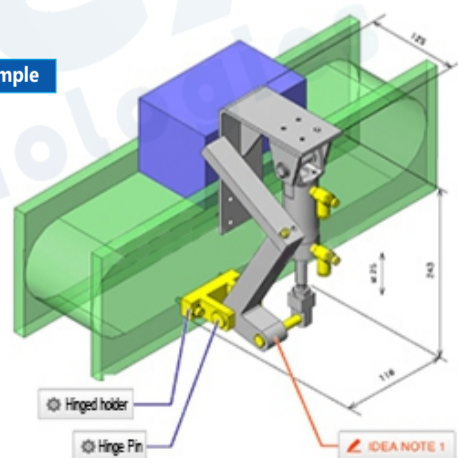
Part Number		L										Retaining Ring									
Type	D	Tolerance	(Fixed Size Selection)										M	N	u	n	u	T	H	Shape	JIS Nominal Specification
			DC-HCDG	3	0 -0.02	8	10	12	15	16	18	0.5									
4	8	10		12		15	16	18	20	3.9	3		6.5	No. 3							
5	10	12		15		16	18	20	4.9	4	8		No. 4								
6	15	16		18		20	22	24	25	30	5.8	5	9	No. 5							
8	20	22		25		30	35	40	7.8	7	12	C Type	No. 7								
10	25	30		35		40	9.8	9.6	2	14	No.10										

① For JIS engineering specifications of the supplied retaining ring, refer to Retaining Ring Specifications.

Basic Specifications

- **Environmentally friendly** - RoHS Compliant (10 Substances)
- **Basic Shape** - Shouldered
- **Surface Treatment** - Black Oxide
- **Type** - L Dimension Fixed
- **Mounting Method** - Retaining Ring
- **Material** - Steel
- **Material Details** - S45C Equivalent
- **Hex Socket** - N/A
- **Characteristics/Applications** - Not Applicable
- **Hardness** - Not Spec-designed
- **Material Detail** - S45C Equivalent
- **Surface Treatment** - Ferroferric Oxide Protective Film

Example



ORDERING GUIDE



- L
DC-HCDG3 - 10