

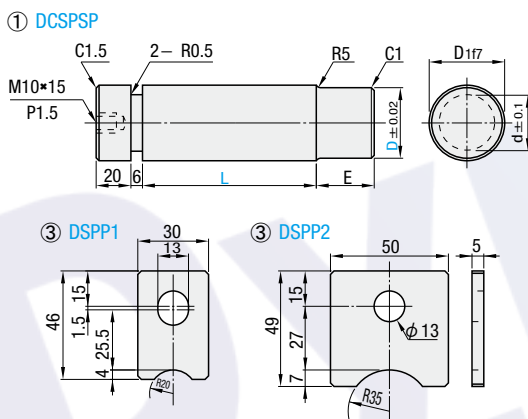
No.	Part Number	Parts list	M	H	S
①	DCSPSP	Retainer pin (single groove type)	S45C	20~25 HRC	Black oxide (Fe <sub>3</sub> O <sub>4</sub> )
②	DCSPWP	Retainer pin (double grooves type)			
③	DSPP	Round hole stopper	SS400	-	Black oxide (Fe <sub>3</sub> O <sub>4</sub> )
④	DCSPT	Oblong hole stopper			
⑤	DCST-N	Spring lock stopper			

## Single Groove Type

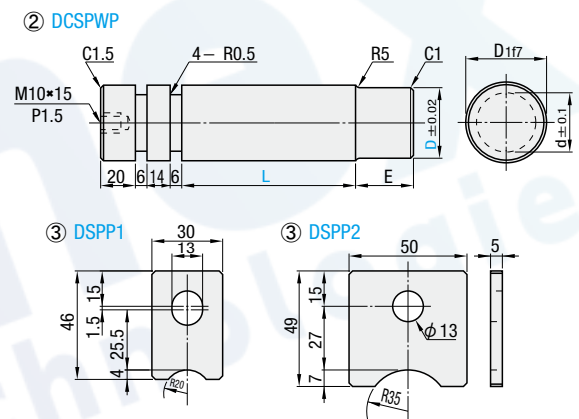
## Double Grooves Type

### Round Hole Stopper Type

DP – CSPS (① DCSPSP + ③ DSPP sets)

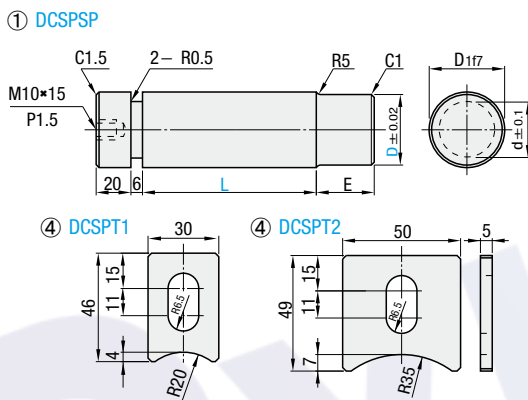


DP – CSPW (① DCSPWP + ③ DSPP sets)

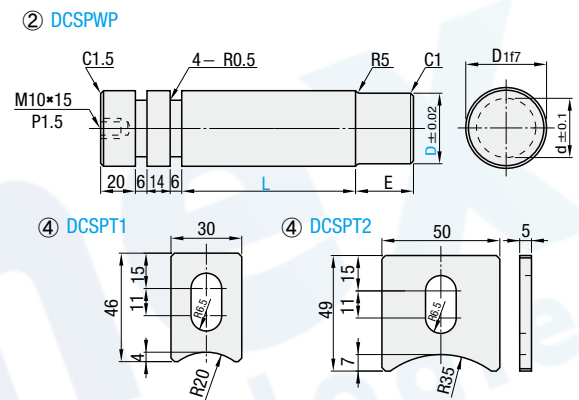


### Oblong Hole Stopper Type

DCSPS (① DCSPSP + ④ DCSPT sets)

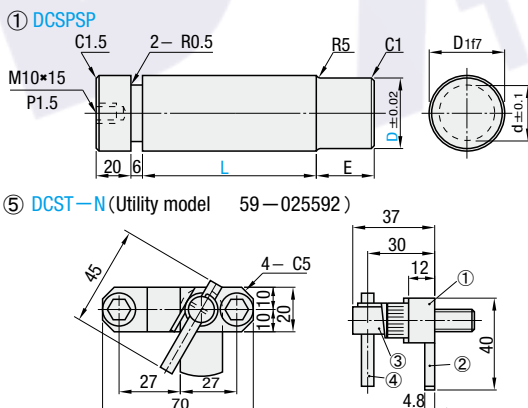


DCSPW (② DCSPWP + ④ DCSPT sets)



### Spring Lock Stopper Type

DCSPT (① DCSPSP + ⑤ DCST – N sets)



DCSPWT (② DCSPWP + ⑤ DCST – N sets)

