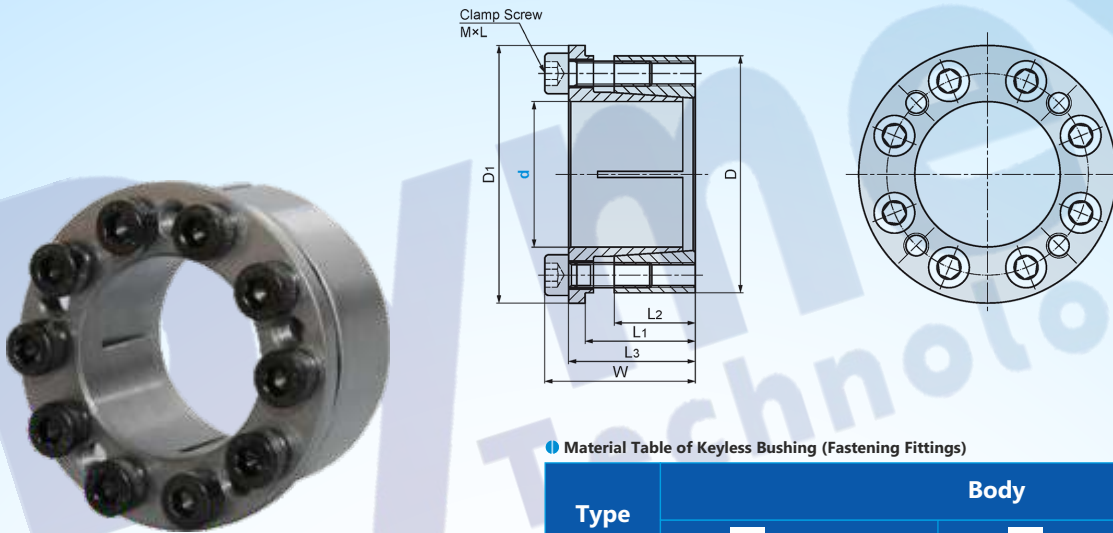


Keyless Bushings (Mechanical Lock), Straight With Centering Function



Dimensional Drawing of Keyless Bushing (Fastening Fittings)



Material Table of Keyless Bushing (Fastening Fittings)

Type	Body	
	M Material	S Surface Treatment
DE-MLM	S45C	-

Specification Table of Keyless Bushing (Fastening Fittings)

Form		D	D ₁	W	L ₁	L ₂	L ₃	Fastening Bolt			Weight (g)	Inner Diameter Tolerance μm			
Type	d							MxL	Count	Tightening Torque (N·m)					
DE-MLM	5	16	18.5	16	11.2	8	13	M3X10	4	2.1	20	+4.5 +0			
	8	21	23.5	18.5	12.5	9.5	14.5	M4X12							
	10	23	25.5	19	13		15	M4X12							
	12	26	28.5	22	15.5	10.5	18	M5X18	6	5.1	60	+5.5 +0			
	14	28	30.5										17.5	12	20
	15	29	31.5	23	16.5	11.5	19						M5X18		
	16	30	33	23.6	24	17.5	12.5	20	M5X18	6	5.1	70	+5.5 +0		
	19	33	35.5	29										21	15.5
	20	38	42	44	23	17.5	26	26.5						M5X18	8
	22	40	44	21					15.5	24					
	25	43	47	31					17.5	26	26.5	M5X18			
	30	48	52	31.5	24	18.5	27.5	27.5	M6X20	10	17	190	210	+7 +0	
	32	50	54	32.5											24
	35	57	62	36	26	19.5	30	30							M6X20
	40	62	67	37	27	20.5	31	31	M6X20	8	17	320	380	+7 +0	
	42	64	69												27
	45	67	72	37.5	27.5	21	31.5	31.5							M6X20
	50	72	77	38.5	27.5	21.5	32.5	32.5	M6X20	14	17	460	460		

Basic Specifications

- Series - Standard Type
- Tightening Structure - Single Cone Type
- Centering Function - With Centering Function
- Structure - Mechanical Type (Wedge Type)
- Main Body Surface Treatment - None
- Locking Screw Qty. - Multiple pcs.

ORDERING GUIDE



DE-MLM5

www.dymextech.com
india@dymextech.com