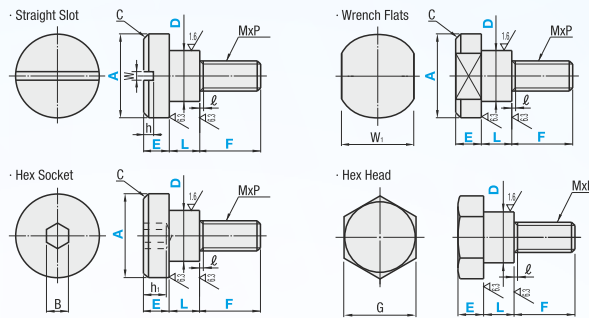


Fulcrum Pins

Configurable Hex Socket



Straight Slot		Hex Socket		Wrench Flats	Hex Head	M	H	S
Standard Grade	Standard Grade	Precision Grade	Standard Grade	Standard Grade	Material	Hardness	Surface Treatment	
D -0.01 -0.05	D -0.01 -0.05	Dg6	D -0.01 -0.05	D -0.01 -0.05	S45C Equivalent	-	Black Oxide	
DFCBBDD	DFCBDBR	DFCBDGBR	DFCBDBW	DFCBDB		40~45HRC		
DFCBBDDH	DFCBDBRH	-	DFCBDBWH	-	SUS303 Equivalent	-	-	
DFCDBD	DFCBDR	DFCDBGR	DFCDBW	DFCDBL				



$$\frac{25}{\sqrt{6.3}} \left(\frac{1.6}{\sqrt{6.3}} \right)$$

L Dimension Tolerance

	Standard
Unhardened	+0.15 +0.05
Hardend	+0.2 0

Precision Grade

D Tolerance (g6)	
4~6	-0.004 -0.012
8,10	-0.005 -0.014
12~15	-0.006 -0.017

Part Number		D	L=0.1mm Increment	A Selection For Hex Head, selection is not needed.	E=0.1mm Increment	F=1mm Increment	MxP (Coarse)	ℓ	W	B	h	h ₁	C	W ₁	G	
Type																
Straight Slot (Standard) *DFCBBDD *DFCBBDDH *DFCDBD	Wrench Flats (Standard) FCBDBW FCBDBWH FCBDW	4	Straight Slot Wrench Flats Hex Head 1.0~20.0	6 8	2.0~4.0	3, 4	2.6 x 0.45	0.8	0.8	2	1	2	0.5	5	7	
		5		8 10		3~6	3 x 0.5	1		2.5		2.5		7	8	
Hex Socket (Standard) *FCBDBR *FCBDBRH *FCBDR	Hex Head (Standard) DFCBDBL	6		10 12	2.5~4.5	4~8	4 x 0.7	1.2	1.2	3	1.5	3	1	8	10	
		8		12 16		5~10	5 x 0.8	1.4		4		3.5		10	13	
Hex Socket (Precision) *FCBDGR	DFCDBL	10		Hex Socket 5.0~20.0	16 18 20	3.0~5.0	6~12	6 x 1.0	1.5	1.4	5	1.8	4	1	13	17
		12			18 20 22 24		8~12	8 x 1.25		1.5		2			14	19
		13	20 22 24		10~15		10 x 1.5	-		-		15			17	
		15														

● Machining Conditions ● DFCBDBR, DFCBDBRH and DFCBDR, ● L≥2xh1+2 ED13 and D15 are not available for the * marked types.

Basic Specifications

- Basic Shape - Hex Socket
- Environmentally Friendly - RoHS Compliant (10 Substances)

Alteration	Code	Spec.			
	PC	Adds a relief to M.			
		D	MxPitch	g	f
		4	M2.6 x 0.45		1.9
		5	M3 x 0.5	1.2	2.3
		6	M4 x 0.7		3.2
		8	M5 x 0.8	1.4	4.0
		10	M6 x 1.0		4.8
		12,13	M8 x 1.25	1.7	6.5
		15	M10 x 1.5	2	8.2



- L - A - E - F - PC

DFCBBDD6 - 10.0 - A10 - E2.5 - F6

DFCBBDD6 - 10.0 - A12 - E3.0 - F4

DFCBBDD6 - 12.6 - A10 - E3.0 - F6 - PC

DFCBBDD6 - 16.5 - A12 - E3.5 - F8 - PC

ORDERING GUIDE



www.dymextech.com

india@dymextech.com