

Hex Socket Flat Head Cap Bolt

- DCSHCS-316L-M
- DCSHS-ST3B-M
- DCSHCS-BR-M
- DCSHCS-SUS-M
- DCSHCS-BRN-M
- DCSHS-SUSTBS-M
- DCSHCS-ST-M
- DCSHCS-TI-M

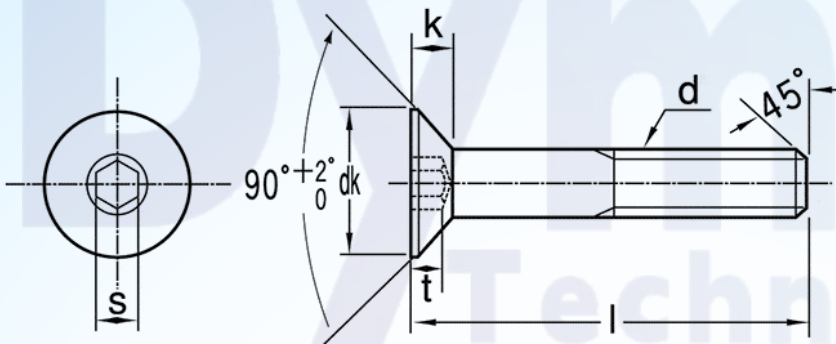
Configured Specifications

Nominal of Thread (M)	3	Length L (mm)	4
Detailed Shape	Disc	Material	[Stainless Steel] Equivalent to SUS304
Surface Treatment	[Black Paint] Black Paint	Pitch	0.5
Thread Type	Metric Coarse	Screw Type	Complete Thread
Sales Unit	Low Quantity (can be purchased from one)	Application	Standard
Additional Shape	Standard	RoHS	10

Basic Specifications

- Detailed Shape - Disc
- Thread Type - Metric Coarse
- Application - Standard
- Additional Shape - Standard

DCSHCS-SUSTBS-M3-4



Screw Nominal (d)		M2	M2.5	M3	M4	M5	M6
Pitch		0.4	0.45	0.5	0.7	0.8	1.0
dk	Reference Dimensions	4	5	6	8	10	12
	Tolerance		0 -0.3		0 -0.36		0 -0.43
k	Dimensions	1.00 to 1.20	1.25 to 1.50	1.56 to 1.70	2.16 to 2.3	2.66 to 2.80	3.12 to 3.3
s	Dimensions	1.27 to 1.30	1.56 to 0.60	2.02 to 2.08	2.52 to 2.58	3.02 to 3.08	4.03 to 4.105
t	Dimensions	0.60 to 0.75	0.60 to 0.80	0.95 to 1.20	1.55 to 1.80	2.05 to 2.30	2.25 to 2.50

