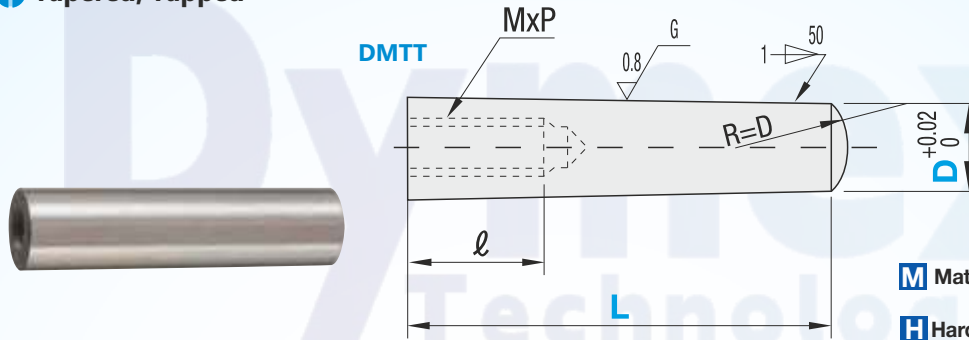


Dowel Pins - Tapered, Tapped

Tapered, Tapped



M Material - SK95 Equivalent

H Hardness - 45 ~ 50HRC

Part Number		M X P	ℓ	L	
Type	D				
DMTT	8	5x0.8	9	30	40
	10	6x1.0	10	40	50
	12	8x1.25		40	50
	13		14	50	60
	16	10x1.5	16	60	70

Basic Specifications

- Shaft Dia. Tolerance - Positive Tolerance
- Material Details 1 - SK95 Equivalent
- SK95 Equivalent - +0.002/0
- Shape - Tapered
- Air Vent - Not Provided

- Tapered - Low Quantity (Available beginning with 1 pc.)
- Tapped Hole - One Side Tapped
- Threading Y/N - Tapped
- End Shape - One Side Spherical

ORDERING GUIDE



DMTT8-40