

# Heavy Load Hinges With Bearing

## Product Overview of Flat Hinges

Economy series butterfly Flat Hinges For heavy object Bearing included product. Flat Hinges, This series of products are butterfly hinges for heavy objects, which can reach an allowable load of up to 1000N depending on the dimensions (the value when using 2 pcs). Bearings are fitted in the middle, which can greatly reduce the starting force during opening and closing, making the opening and closing more smooth. Flat Hinges material is stainless steel. The openings are divided into two types for flat head bolts and ultra-low head bolts. Please choose carefully.



● Economy series butterfly Flat Hinges For heavy object Including bearing

● Economy series butterfly Flat Hinges For heavy object Including bearing Side view

## Product Feature of Flat Hinges

### 【Features of Flat Hinges】

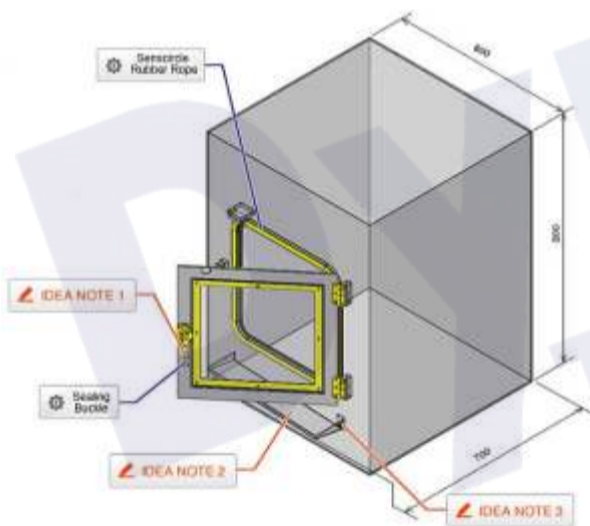
Butterfly Flat Hinges for heavy objects can achieve high allowable loads, and when used with high-hardness bolts, they can reach a load capacity of up to 1000N (the value when using 2 pcs). Bearings are fitted in the middle, which can greatly reduce the starting force during opening and closing, making the opening and closing more smooth. It is recommended to use only two products for each door. Multiple products cannot achieve the effect of increasing the load. At the same time, multiple hinges will cause other interference problems caused by insufficient center-axis straightness of the hinge.

### ● Specifications Overview of Flat Hinges

Product Material, Surface Treatment Overview of Flat Hinges :  
 - Flat Hinges Material Table

Type of Flat Hinges		M Material	S Surface Treatment	
Flat head bolt type	Ultra-low head bolt type	SUS304	Chain piece	Shaft
DC-HHSZB	DC-HHSZTB		Buffed	-

## ● Example Use of Flat Hinges

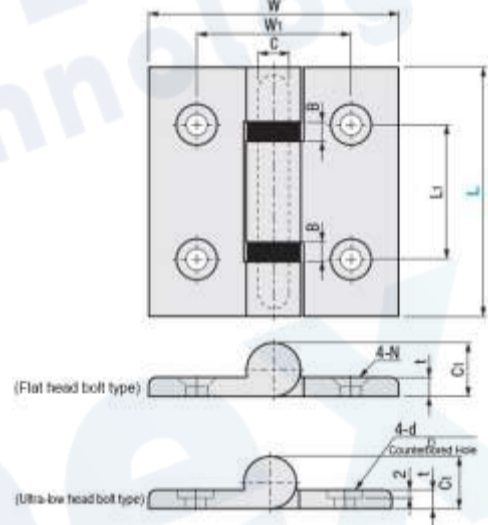


## Precautions of Flat Hinges

The flat head bolt type and the ultra-low head bolt type have the same product specifications, only the mounting holes are different. Please refer to the Specification Table for details.

Butterfly Flat Hinges can't increase the allowable load by adding more products. On the contrary, during installation, it is easy to cause eccentric load due to the fact that three center axes can not be on the same horizontal line at the same time. It is easy for the door panel to be in a non-displacement state when standing still.

Dimensional Drawing of Flat Hinges



● Economy series butterfly Flat Hinges For heavy object Including bearing Dimensional drawing  
 Refer to the Specification Table below for detailed product dimensions

## Part Number (Type-No.) DC-HHSZB50 / DC-HHSZTB50

Part Number									DC-HHSZB		DC-HHSZTB		Number of Segments	*Allowable Load (N)	
	Type	L	W	W1	L1	C	C1	t	B	N		D			d
										Through Hole	Countersunk Hole				
DC-HHSZB	65	65	40	35	6	14	5	5		5.6	10.6	9.6	5.6	3	450
DC-HHSZTB	75	75	50	40	8	16	6	7		6.6	12.6	10.6	6.6		650

● \* The allowable load is the value when 2 pieces are used.

## ● Basic Specifications

- Flat Hinge Type - Square Plate Type
- Main Body Type - Flag Hinge
- Operating Environment - Standard
- Mounting Method - Screw Mounting
- Main Body Surface Treatment - Mirror Polishing

