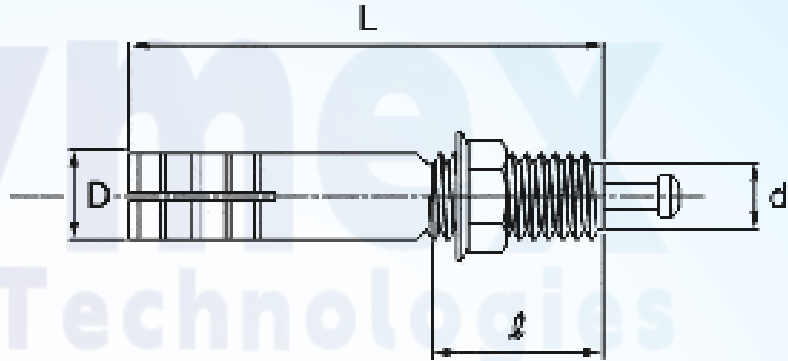


All Anchor (T Type)

● All Anchor (T Type)



Product Number	Screw Diameter d	Total Length L	Screw Length I	Mounting Object Thickness	Drill Diameter	Concrete Strength 210kg/crrl (21N/mm ²) Proportional Maximum Load	Concrete Strength 210kg/crrl (21N/mm ²) Tensile Maximum Load	Concrete Strength 210kg/crrl (21N/mm ²) Shear Maximum Load	Embedding Depth mm
DC-645	M6	45	15	1~5	6.4	300 (2.9)	475 (4.6)	652 (6.3)	30
DC-660	M6	60	20	1~20	6.4	300 (2.9)	475 (4.6)	652 (6.3)	30
DC-840	M8	40	15	1~3	8.5	330 (3.2)	560 (5.4)	652 (6.3)	25
DC-850	M8	50	20	1~5	8.5	360 (3.5)	705 (6.9)	1,030 (10.1)	35
DC-870	M8	70	25	1~20	8.5	360 (3.5)	705 (6.9)	1,030 (10.1)	35
DC-890	M8	90	25	1~40	8.5	360 (3.5)	705 (6.9)	1,030 (10.1)	35
DC-1050	M10	50	20	1~3	10.5	410 (4.0)	870 (8.5)	1,030 (10.1)	30
DC-1060	M10	60	25	1~6	10.5	410 (4.0)	870 (8.5)	1,030 (10.1)	30
DC-1080	M10	80	25	1~25	10.5	732 (7.1)	1,180 (11.5)	1,640 (16.0)	40
DC-1090	M10	90	30	1~35	10.5	732 (7.1)	1,180 (11.5)	1,640 (16.0)	40
DC-1010	M10	100	30	1~45	10.5	732 (7.1)	1,180 (11.5)	1,640 (16.0)	40
DC-1012	M10	120	30	1~65	10.5	732 (7.1)	1,180 (11.5)	1,640 (16.0)	40
DC-1260	M12	60	20	1~4	12.7	1,020 (10.0)	1,460 (14.3)	1,640 (16.0)	40
DC-1270	M12	70	25	1~8	12.7	1,020 (10.0)	1,460 (14.3)	1,640 (16.0)	40
DC-1290	M12	90	30	1~20	12.7	1,360 (13.3)	1,826 (17.9)	2,380 (23.3)	50
DC-1210	M12	100	40	1~30	12.7	1,360 (13.3)	1,826 (17.9)	2,380 (23.3)	50
DC-1212	M12	120	40	1~50	12.7	1,360 (13.3)	1,826 (17.9)	2,380 (23.3)	50
DC-1215	M12	150	50	1~80	12.7	1,360 (13.3)	1,826 (17.9)	2,380 (23.3)	50
DC-1680	M16	80	30	1~5	17.0	1,755 (17.2)	2,340 (22.9)	2,380 (23.3)	50
DC-1610	M16	100	40	1~15	17.0	2,425 (23.7)	3,215 (31.5)	4,890 (47.9)	60
DC-1512	M16	120	40	1~35	17.0	2,425 (23.7)	3,215 (31.5)	4,890 (47.9)	60
DC-1615	M16	150	50	1~65	17.0	2,425 (23.7)	3,215 (31.5)	4,890 (47.9)	60
DC-1619	M16	190	50	1~105	17.0	2,425 (23.7)	3,215 (31.5)	4,890 (47.9)	60
DC-2010	M20	100	40	1~6	21.5	2,400 (23.5)	3,200 (31.3)	4,890 (47.9)	60
DC-2013	M20	130	50	1~20	21.5	3,320 (32.5)	4,450 (43.6)	7,510 (73.6)	80
DC-2015	M20	150	50	1~40	21.5	3,320 (32.5)	4,450 (43.6)	7,510 (73.6)	80
DC-2019	M20	190	50	1~80	21.5	3,320 (32.5)	4,450 (43.6)	7,510 (73.6)	80
DC-2023	M20	230	50	1~120	21.5	3,320 (32.5)	4,450 (43.6)	7,510 (73.6)	80
DC-2045	W1/4	45	15	1~5	6.6	300 (2.9)	475 (4.6)	652 (6.3)	30
DC-2060	W1/4	60	20	1~20	6.6	300 (2.9)	1,930 (18.9)	652 (6.3)	30
DC-2550	W5/16	50	20	1~5	8.5	360 (3.5)	475 (4.6)	1,030 (10.1)	35
DC-2570	W5/16	70	25	1~20	8.5	360 (3.5)	705 (6.9)	1,030 (10.1)	35
DC-3060	W3/8	60	25	1~6	10.0	695 (6.8)	705 (6.9)	1,560 (15.3)	40
DC-3080	W3/8	80	25	1~25	10.0	695 (6.8)	1,120 (11.0)	1,560 (15.3)	40
DC-3090	W3/8	90	30	1~35	10.0	695 (6.8)	1,120 (11.0)	1,560 (15.3)	40
DC-4070	W1/2	70	25	1~8	13.5	1,440 (14.1)	1,120 (11.0)	2,520 (24.7)	50
DC-4090	W1/2	90	30	1~20	13.5	1,440 (14.1)	1,930 (18.9)	2,520 (24.7)	50
DC-5100	W5/8	100	40	1~15	17.0	2,400 (23.5)	3,200 (31.4)	4,840 (47.5)	60
DC-5120	W5/8	120	40	1~35	17.0	2,400 (23.5)	3,200 (31.4)	4,840 (47.5)	60
DC-6130	W3/4	130	50	1~20	20.5	3,150 (30.9)	4,230 (41.5)	7,130 (69.9)	80

● Basic Specifications

- Type - Anchor Bolt

